



品质创造价值 科技启迪未来

Quality Creates Value

Technology Inspires The Future

宁波申菱机电科技股份有限公司 NBSL M&E TECHNOLOGY CO., LTD.

总部及上海工厂 HQ&Shanghai factory

地址: 上海市松江经济技术开发区申港路3633号

Address: 3633 Shengang Road, Songjiang Economic & Tech.Deve.
Zone, Shanghai, China

邮编Postal code: 201611

总机Tel. exchange: 86 21 3701 1866

印度工厂 Indian factory

地址: 印度泰米尔纳德邦金奈市奥拉加达姆区印都工业园700号B栋

Address: 700B, Indospace Industrial Park, Orgadam Wallajabad Road,
Sriperumbudur, Taluk, Panruti, Tamil Nadu 631604

邮编Postal code: 631604

电子邮箱Email: indiasales@nbsl.com

总机Tel. Exchange: +91 9677 1593 43

宁波工厂 Ningbo factory

地址: 浙江省宁波市象山石浦科技园区科苑路1号

Address: No.1 Keyuan Road, Shipu Technology Zone, Xiangshan
County, Ningbo, Zhejiang Province, China

邮编Postal code: 315731

总机Tel.: 86 574 6598 3333

意大利工厂 Prisma Factory

地址: 和平之路23/ TER-43058 SORBOLO MEZZANI-帕尔马,意大利

Address: Strada della Pace, 23 ter 43058 Sorbolo Mezzani Frazione
Casale di Mezzani, Parma Italy

邮编Postal code: 43058

电子邮箱Email: info@nbsl.eu

总机 Tel. Exchange: +39 0521 3164 11



目录

Company Profile

企业概况 Company Profile	01
发展历程 Development Course	03
技术创新 Technological Innovation	05
智能制造 Intelligent Manufacturing	07
品质保证 Quality Assurance	09
营销服务 Marketing & Service	11
电梯门系列 Elevator Door Series	13
曳引机系列 Traction Machine Series	47
安全部件 Safety Components Series	77

概述

电梯门

曳引机

安全部件

成为世界知名的电梯部件系统服务商

To become the world famous elevator components solution provider



-  宁波申菱 NBSL
-  普里斯玛 Prisma
-  销售/售后 Sales/After sales

-  总部 Headquarter
-  工厂 Manufacturing
-  仓库 Warehouse



总部及上海工厂 Headquarter and Shanghai factory

宁波申菱成立于1992年，历经三十多年砥砺前行，已发展成为中国最大的电梯部件制造商之一，中国电梯协会副理事长单位，国家级高新技术企业。

公司专注于通过技术创新为客户提供更多的增值服务，主要研发、生产及销售电梯门系统、曳引机、轿厢、安全部件、人机界面等系列产品，并提供电梯部件系统集成和改造解决方案。公司电梯门机获得“全国单项冠军产品”殊荣，电梯门系统、限速器等主导产品在中国市场占有率多年来一直名列前茅。

公司立足国内、面向国际，积极推进国际化市场的布局 and 拓展。总部设立在上海松江，旗下拥有上海、宁波两大国内生产制造基地，并在印度金奈、意大利帕尔玛设立两大海外工厂，形成覆盖全球的营销网络，能够为全球客户提供更加优质便捷的配套服务。

我们始终秉承“客户至上、高效执行、持续改善、合作共赢”的核心理念，努力打造成为世界知名的电梯部件系统服务商。



宁波工厂 Ningbo factory



印度工厂 Indian factory



意大利工厂 Italian factory

Founded in 1992, NBSL has developed into one of the China's largest elevator component manufacturers after more than thirty years. It is the Vice Chairman of China Elevator Association, National High-Tech Enterprise.

The company focuses on providing customers with more value-added services through technological innovation. It mainly develops, produces and sells the series products of elevator door systems, traction machines, cars, safety components, interfaces and other products, and provides elevator component system integration and elevator modernization solution. The company's elevator door system products won the "National Single Champions Products" award. Leading products such as elevator door systems and overspeed governors have been among the top in the Chinese market for many years.

Based on the domestic market and faced to the international market, NBSL continuously promotes its international strategy and global development. In the district of Songjiang, Shanghai as company headquarter, NBSL has two domestic manufacturing bases in Shanghai and Ningbo, and two overseas factories in Chennai, India and Parma, Italy, forming a global marketing network that can provide more high-quality and convenient supporting services for customers worldwide.

We always adhere to the core concept of "customer first, efficient execution, continuous improvement, and win-win cooperation", and strive to become a world-renowned elevator components system service provider.

发展历程

Development Course

1992

宁波申菱电梯配件厂成立
Ningbo shenling lift accessories company was founded in 1992



1994

直流调速门机推向市场
The 1st DC door operator was successfully developed and launched

1995

宁波石浦新厂房建成投产
Shipu, Ningbo new plant was completed and put into operation



1997

中国电梯部件企业首家通过ISO9001质量体系认证
China first elevator parts enterprise passed the ISO9001 quality system certification

1998

VVVF变频门机研制成功,并推向市场
The VVVF door operator was successfully developed and launched

2002

永磁无齿轮曳引机推向市场
The gearless PM machine was successfully developed and launched

2004

限速器产品通过美国奥的斯Q+审核并进入全球供应链系统
Speed governor products passed Otis Q+ audit and entered the global supply chain system

2005

公司被认定为国家级高新技术企业
NBSL was rated as a national high-tech enterprise

2006

永磁同步门机推向市场
PM door operator was successfully developed and launched

2009

公司首次进入“中国机械500强”
NBSL entered the "China Top 500 Machinery" enterprise

2010

公司技术中心被认定为“浙江省企业技术中心”
通过ISO14001 OHSAS18001管理体系认证
NBSL Technology center has been identified as "Zhejiang Enterprise Technology Center"
Passed ISO14001 and OHSAS18001 management system certification

2012

门系统累计发货突破100万台
层门装置累计发货突破1000万台
The cumulative delivery of door operator and landing mechanism reached 1million&10 million sets respectively

2013

上海总部及新工厂正式建成投产
Shanghai headquarters and new factory officially completed and put into operation



2014

宁波石浦新工厂正式投入运行
Ningbo Shipu new factory was officially completed and put into operation



2015

SAP企业资源管理系统上线运行
SAP Enterprise Resource Management System is officially launched

2016

印度金奈工厂正式建成投产
Chennai factory in India was officially opened



2017

公司上海总部试验塔正式投入使用
Headquarters test tower was officially put into operation



2018

公司与意大利DMG集团合资成立迪菱电梯科技发展(上海)有限公司
NBSL and Italy DMG Group jointly established DMG-NBSL ELEVATOR TECHNOLOGIES (SHANGHAI) CO., LTD



2019

门机被评为全国单项冠军产品
Door operator was awarded as national single champion product

2020

公司收购意大利PRISMA电梯自动门公司
NBSL successfully acquired Italian door company-PRISMA



2021

新一代平台化门系统全系列产品推向市场
A full range of new generation door system products are introduced to the market

2022

推出货梯、别墅梯系统集成解决方案和后市
场改造解决方案
Launched cargo elevator, villa elevator system integration solutions and modernization solutions

概述

电梯门

曳引机

安全部件

技术创新

Technical Innovation

公司始终高度关注技术创新与人才培养，拥有一支高素质的专业技术研发团队，不断投入资源进行新技术的研究与产品开发，持续进行技术升级和产品迭代，致力于满足市场多元化需求。

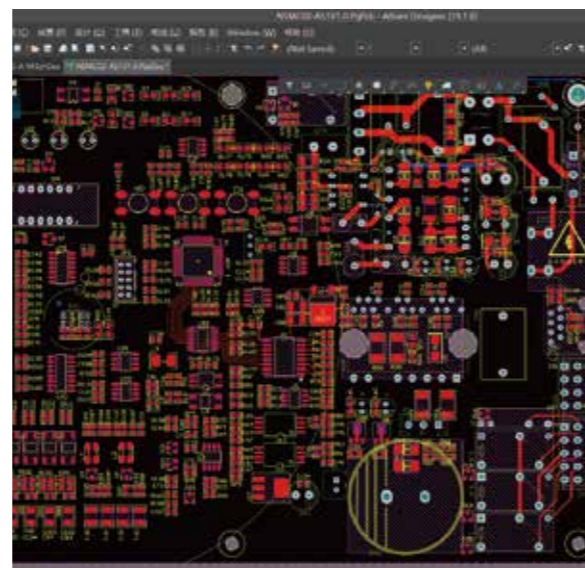
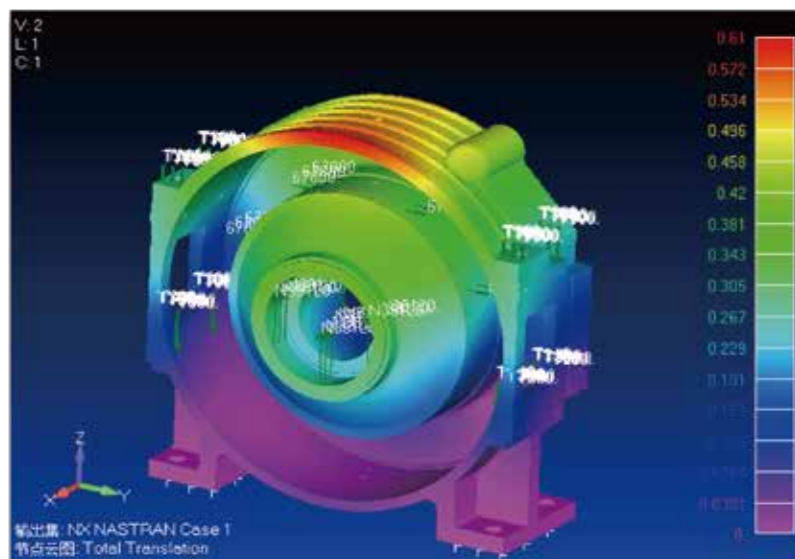
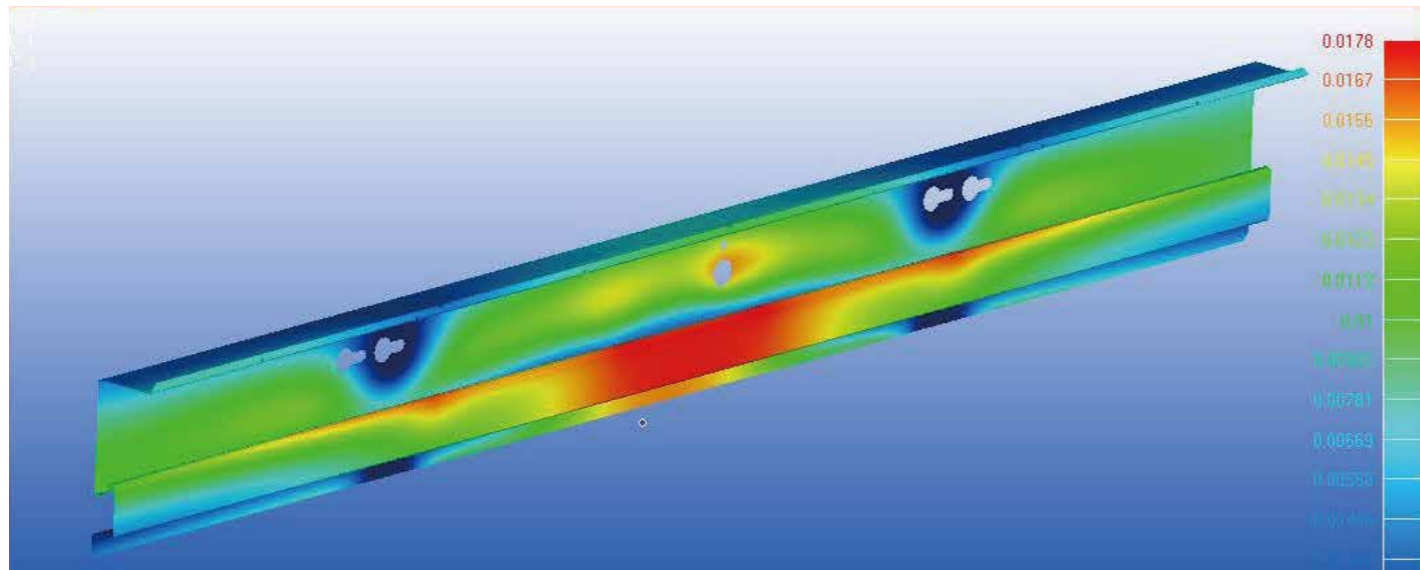
公司运用平台化模式进行产品线全生命周期规划与管理，采用 SolidEdge、AutoCAD、Femap+NX Nastran 等先进的设计、仿真软件进行结构设计与分析，缩短开发周期，提前发现和解决潜在的问题，确保产品的可靠性与稳定性。

公司已拥有门系统、曳引机、轿厢、安全部件等平台化系列化产品，并提供电梯部件系统集成解决方案和售后市场改造解决方案。

NBSL always pays great attention to technical innovation and talent training, has a high-quality professional technical R&D team, constantly investing resources in the research and product development of new technologies, continuous technical upgrades and product iterations, and is committed to meet the diversified needs of the market.

The company uses a platform-based model to carry out the entire life cycle planning and management of the product line. It uses advanced design and simulation software such as SolidEdge, AutoCAD, FEMAP+NX Nastran for structural design and analysis to shorten the development cycle, identify and solve potential problems in advance, and ensure the reliability and stability of products.

NBSL already has a platform series of products such as door systems, traction machines, cars and safety components, and can provides elevator component system integration solutions and modernization solutions.



公司始终坚持自主创新与对外技术合作,在电梯部件领域拥有 100 多项重要技术创新专利和软件著作权;

NBSL always insists on independent innovation and external technical cooperation, and owns more than 100 important technical innovation patents and software copyrights in the field of elevator components ;



概述
电梯门
曳引机
安全部件

智能制造

Intelligent Manufacturing



萨瓦尼尼钣金柔性生产线
Salvagnini sheet metal flexible processing line

公司在上海松江、宁波石浦、印度金奈、意大利帕尔玛布局并设立四个制造工厂，累计拥有占地面积25万平方米、建筑面积15万平方米的现代化生产制造基地。

公司全面推进“自动化、信息化”的深度融合发展，加快提升智能制造水平。先后投入中国电梯部件行业首条钣金柔性生产线，电梯门板自动生产线、层门上坎自动加工线、门挂板自动加工和装配线、曳引机自动装配线等多台现代自动化生产装备。积极推进信息化建设，建立并有效运行PDM、ERP、MES等系统，实现生产制造信息的有效共享和系统集成，以此推动公司生产制造向数字化、网络化、智能化方向发展。

NBSL has 4 manufacturing plants in Songjiang Shanghai, Shipu Ningbo, Chennai India and Parma Italy with a total of 250,000 square meters of land and 150,000 square meters of building area for modern production and manufacturing bases.

The company fully promotes deep integration and development of "automation and informatization" and accelerates the improvement of intelligent manufacturing. We have invested in many modern automatic production equipments such as the first sheet metal flexible production line in China's elevator component industry, automatic production line for elevator door panels, automatic processing line for landing door header, automatic processing and assembly line for door hanging panels and automatic assembly line for traction machines. NBSL actively promotes information construction, establishes and effectively operates PDM, ERP, MES and other systems, and realizes effective sharing and system integration of production and manufacturing information, so as to promote the development of company's production and manufacturing in the direction of digitization, networking and intelligence.



层门上坎架自动化加工线
Automatic processing line for landing door header



高架物流输送线
Elevated products transport line



门板自动线
Door panel auto C line



门板喷涂线
Door panels automatic painting line



制造车间信息化
Manufacture informatization



曳引机自动化装配线
Automatic assembly line of traction machine

概述

电梯门

曳引机

安全部件

品质保证

Quality Assurance

品质创造价值，宁波申菱在追求卓越品质的道路上，坚持“质量优先”，以“零容忍”的态度，严格控制、持续改善、精益求精，把质量培育并打造成为公司的竞争力和标志性名片。

公司采用了APQP、VDA6.3、6Sigma、PDCA等先进的质量管理工具，实现从新品研发、生产制造、供应链管理到产品交付的全过程闭环管控。公司设立质量文化室和质量道场，建立了快速响应的质量分析和改善机制，推进质量预防管控。近年来，公司加大数字化质量管理体系（QMS）建设，涵盖产品全生命周期中质量信息的收集和处理，不断提升质量管理的自动化和数字化水平。

公司建立产品测试中心，配备了专业的测试设备和高精度仪器，涵盖耐久性测试、温湿度测试、振动测试、安全性测试等，有效保障产品各项性能，并积极推进自动化检测设备的引进和推广应用，提高过程检测的质量和水平。

通过了多个国家与地区的试验认证，包括国内TSG认证、欧洲CE认证、独联体EAC认证等，确保产品能够满足国内外市场需求。

Quality creates value. In the pursuit of quality excellence, NBSL always insists on "quality first", with a "zero tolerance" attitude, strict control, continuous improvement and excellence, to cultivate and build quality as the company's competitiveness and signature business card.

NBSL has adopted advanced quality management tools such as APQP, VDA6.3, 6Sigma and PDCA to achieve closed-loop control of the whole process from new product development, manufacturing, supply chain management to product delivery. The company has set up a quality culture room and quality dojo, established a rapid response quality analysis and improvement mechanism, to prompt quality prevention and control. In recent years, NBSL has increased the construction of digital quality management system (QMS), covering the collection and processing of quality information in the whole life cycle of products, and continuously improving the automation and digital level of quality management.

By establishing a product testing center equipped with professional testing equipment and high-precision instruments, covering durability testing, temperature and humidity testing, vibration testing, safety testing, etc., NBSL effectively guarantees the performance of its products and actively promotes the introduction and application of automated testing equipment to improve the quality and level of process testing.

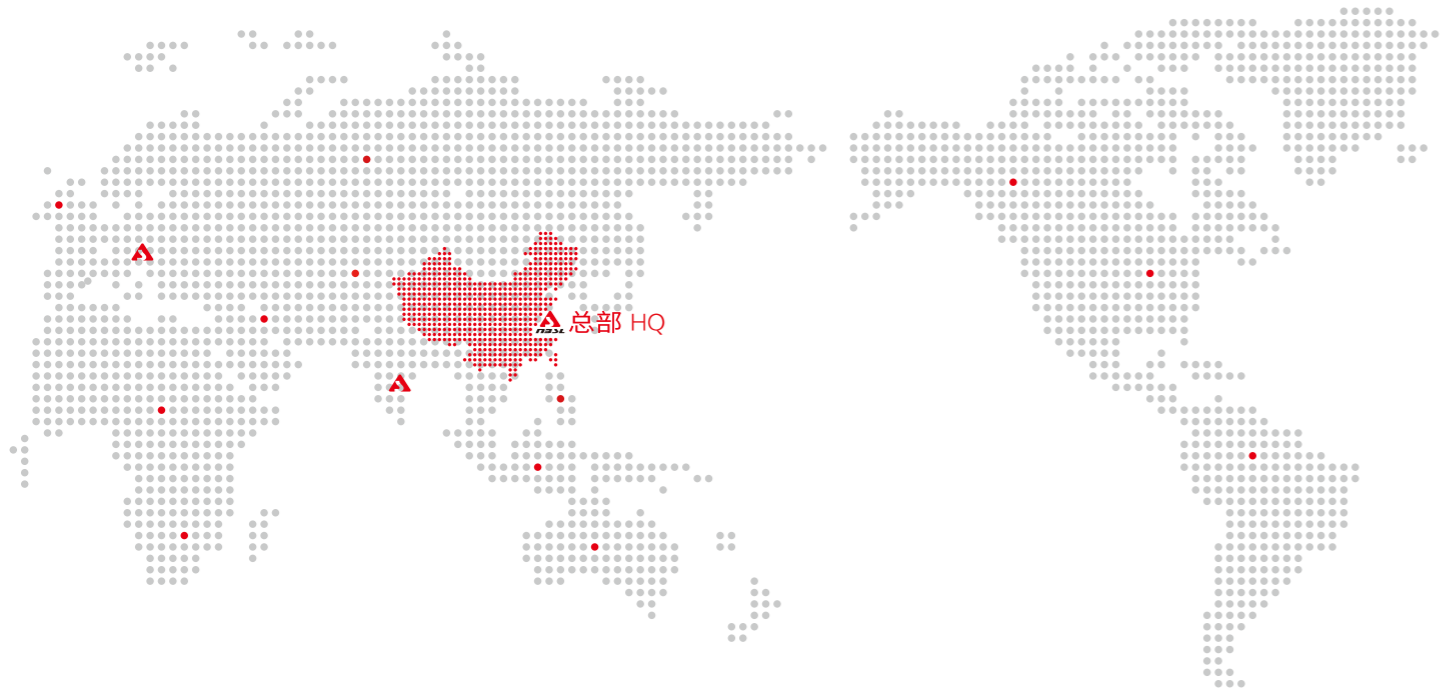
NBSL has passed the test certification of many countries or regions, including domestic TSG certification, European CE certification, CIS EAC certification, etc., to ensure that products can meet the demands of domestic and international markets.



概述
电梯门
曳引机
安全部件

营销服务

Marketing & Service



迄今为止我们在世界各地服务于超过500家整梯公司，产品销售覆盖180多个国家及地区。在全球建立了多个海外网点为用户提供全方位营销服务。

我们为客户提供有竞争力的、符合不同地区需求的、平台化设计的电梯部件产品和部件系统集成解决方案。

我们始终坚持以客户至上，不断提高客户合作满意度和契合度，以“热情周到，快速响应”的专业服务满足客户需求，建立客户培训中心，设立400服务热线，方便客户更好地安装、调试和应用。

公司连续多年获得“全国用户满意企业”、“优秀供应商”、“卓越供应商认证”等荣誉称号，用优质的服务赢得了国内外客户的高度认可与信赖。

We have served more than 500 elevator companies around the world, and our products are sold in more than 180 countries and regions. We have established several overseas marketing around the world to provide comprehensive sales services for our customers.

We have been continuously providing customers with competitive elevator component products and component system integration solutions that meet the demands of different regions and design.

We always adhere to customer first, constantly improve customer cooperation satisfactio, with "warm and thoughtful, fast response" professional services to meet customer needs. We have established a customer training center and a 400 service hotline to better solve the demands of our customers.

NBSL has won the honorary titles of "National Customer Satisfaction Enterprise", "Excellent Supplier" and "Excellent Supplier Certification" for many years. We have won the high recognition and trust of customers with our quality services in the domestic and overseas.

国内营销网络

CN Marketing Network

- 华东区销售 East China area
- 华南区销售 South China area
- 华西区销售 West China area
- 华北区销售 North China area

欧洲营销网络

Europe Marketing Network

- ▲ 意大利帕尔马 Parma Italy

印度营销网络

India Marketing Network

- ▲ 印度金奈 Chennai India

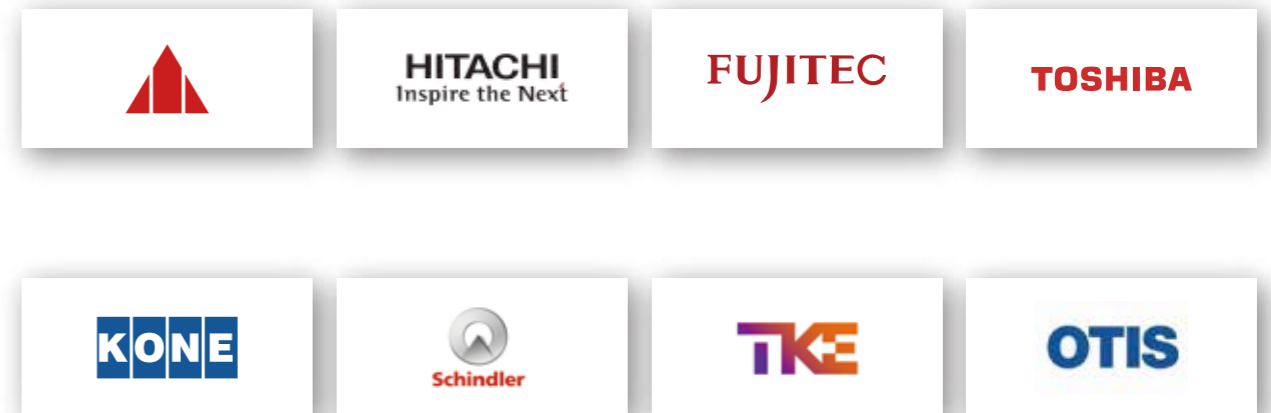
出口国家和地区

Export Destinations

亚洲	Asia	中东地区	Middle East	欧洲	Europe
马来西亚	Malaysia	土耳其	Turkey	法国	France
印度尼西亚	Indonesia	沙特阿拉伯	Saudi Arabia	波兰	Poland
新加坡	Singapore	黎巴嫩	Lebanon	捷克	Czech
泰国	Thailand	巴勒斯坦	Palestine	德国	Germany
印度	India	科威特	Kuwait	瑞典	Sweden
巴基斯坦	Pakistan	巴林	Bahrain	摩尔多瓦	Moldova
孟加拉国	Bangladesh	卡塔尔	Qatar	罗马尼亚	Romania
越南	Vietnam	阿联酋	Untied Arab Emirates		
韩国	Korea				
香港	Hongkong(China)				
澳门	Macau (China)				
台湾	Taiwan (China)				
非洲	Africa	独联体	CIS	美洲	America
南非	South Africa	俄罗斯	Russia	美国	USA
埃及	Egypt	乌克兰	Ukraine	加拿大	Canada
毛里塔尼亚	Mauritania	哈萨克斯坦	Kazakhstan	墨西哥	Mexico
安哥拉	Angola	乌兹别克斯坦	Uzbekistan	哥伦比亚	Columbia
		吉尔吉斯斯坦	Kyrgyzstan	委内瑞拉	Venezuela
		阿塞拜疆	Azerbaijan	巴西	Brazil
				智利	Chile
				阿根廷	Argentina
				乌拉圭	Uruguay

合作伙伴

Partners



概述

电梯门

曳引机

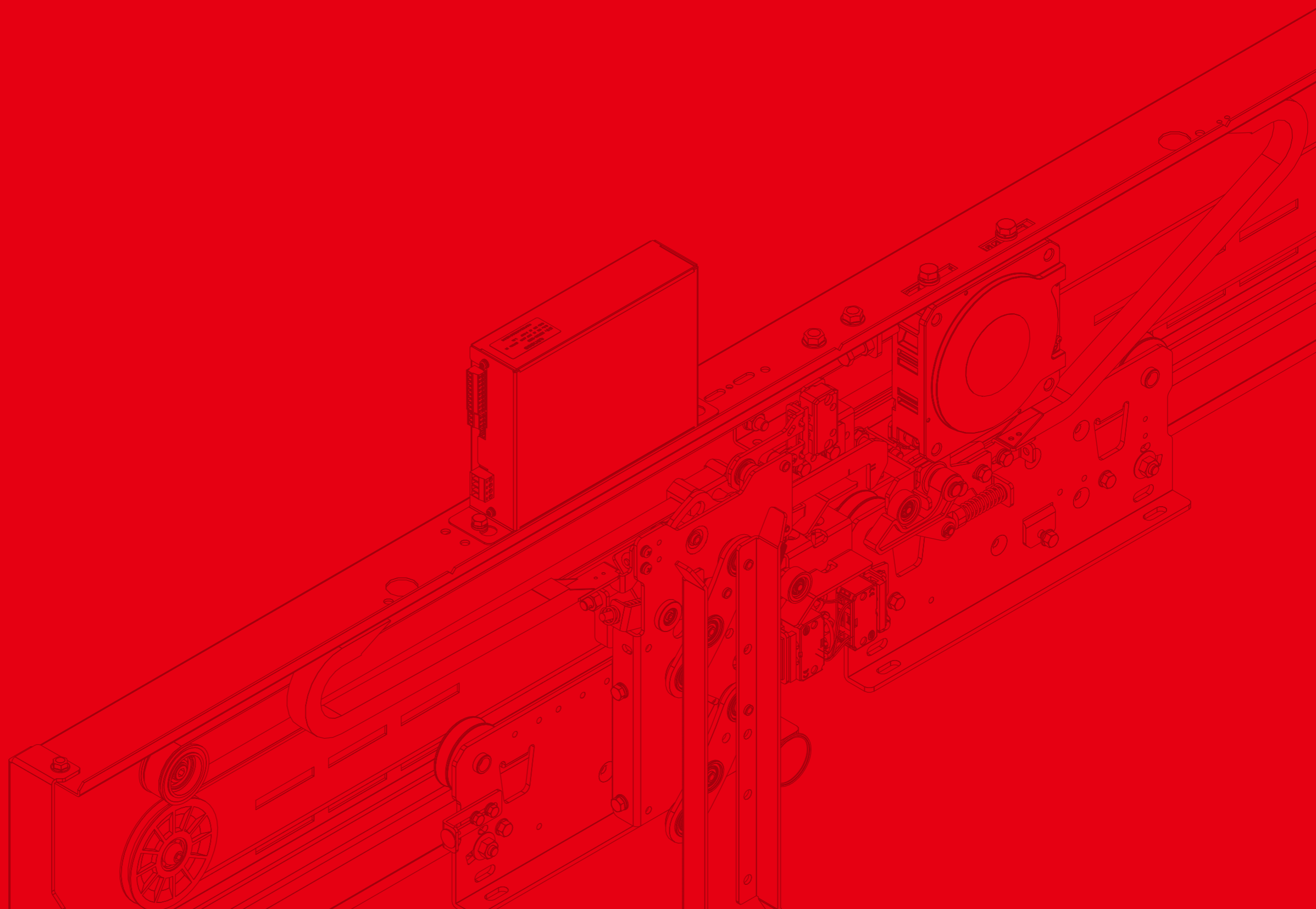
安全部件

电梯门系列

Elevator Door Series

更智能 | 更精准 | 更安全 | 更便捷

More Intelligent | More Accurate | More Secure | More Convenient



公司专业从事电梯门系统研发生产三十余年，业已成为行业内规模最大的电梯门系统制造商之一。

公司拥有完善的门系统产品系列，适用于不同场所的客梯、货梯、别墅梯以及特种电梯；产品技术先进、质量可靠，安装调试方便，性能优异。

门机控制器采用 FOC 闭环控制算法，具有高速动态响应特点，可精确地控制电机磁场的大小和方向，保证门系统运行平稳、噪音小、效率高。

产品通过 TSG、CE、EAC 等国内外相关测试认证，满足国内外市场的需求。

NBSL has been specializing in the development and production of elevator door systems for more than 30 years and has become one of the largest manufacturers of elevator door systems in the world.

NBSL has a complete series of door system products, which are suitable for passenger elevators, freight elevators, villa elevators and special elevators in different places; the products have advanced technology, reliable quality, easy installation and commissioning, and excellent safety performance.

The door controller adopts FOC closed-loop control algorithm, with high-speed dynamic response characteristics, can accurately control the position and direction of the motor magnetic field, to ensure that the door system runs smoothly, low noise, high efficiency.

The products have passed TSG, CE, EAC and other relevant tests and certifications to meet the needs of domestic and international markets.

电梯门系列 Elevator Door Series

Model	名称	Description	Page
标准型--E系列			
门机系列			
09E-1C	中分永磁同步门机	Center Opening PM Door Operator	P17
层门系列			
05E-1C	中分层门	Center Opening Landing Door Device	P19
05E-1C	中分层门 (正钩)	Center Opening Landing Door Device (正钩)	P21
重载型--S系列			
门机系列			
09S-1C	中分永磁同步门机	Center Opening PM Door Operator	P23
09S-2S	旁开双折永磁同步门机	Side Opening PM Door Operator	P25
09S-2C	中分双折永磁同步门机	4-Panel Center Opening PM Door Operator	P27
层门系列			
05S-1C	中分层门	Center Opening Landing Door Device	P29
05S-2S	旁开双折层门	Side Opening Landing Door Device	P31
05S-2C	中分双折层门	4-Panel Center Opening Landing Door Device	P33
紧凑型--C系列			
门机系列			
09C-1C	中分永磁同步门机	Center Opening PM Door Operator	P35
09C-2S	旁开双折永磁同步门机	Side Opening PM Door Operator	P37
09C-2C	中分双折永磁同步门机	4-Panel Center Opening PM Door Operator	P39
层门系列			
05C-1C	中分层门	Center Opening Landing Door Device	P41
05C-2S	旁开双折层门	Side Opening Landing Door Device	P43
05C-2C	中分双折层门	4-Panel Center Opening Landing Door Device	P45



标准型 E 系列

适用于住宅楼、酒店、购物中心现代化改造、学校、医院等楼宇垂直交通

Suitable for residential buildings, hotels, and shopping centers. Modernization, vertical transportation of urban buildings such as schools and hospitals.



住宅楼
Residential



酒店、购物中心
Residential / Business Office



医院
Hospital



学校
School



重载型 S 系列

适用于商务办公楼、仓库、工厂、酒店、购物中心等，专门为重载场景设计，运行安全、平稳且可靠

Suitable for commercial buildings, warehouses, factories, Hotels, shopping malls, etc
Specially designed for heavy-duty scenarios, ensuring safe, smooth, and reliable operation



商务办公楼
Commercial Building



仓库/工厂
Warehouse/Factory



酒店、购物中心
Residential / Business Office



紧凑型 C 系列

适用别墅电梯，按建筑场景自由选配多种开门方式，让别墅上下交通更便利

Suitable for villa elevators, with multiple door opening methods freely selected according to the architectural scenes, making the transportation of the villa more convenient



别墅电梯
Villa Elevator



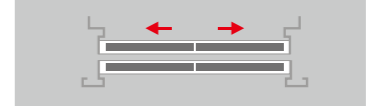
住宅楼
Residential Building

概述

电梯门

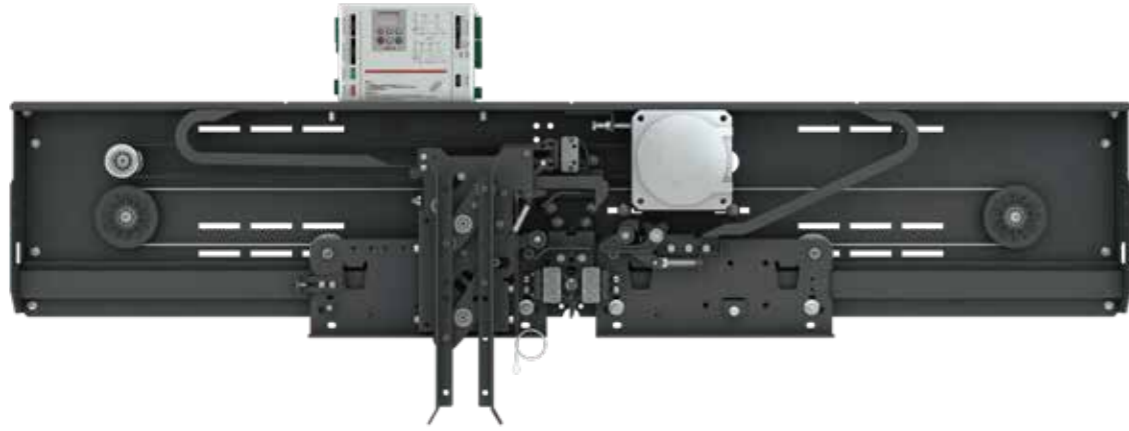
曳引机

安全部件



09E 中分永磁同步门机

Center Opening PM Synchronous Door Operator



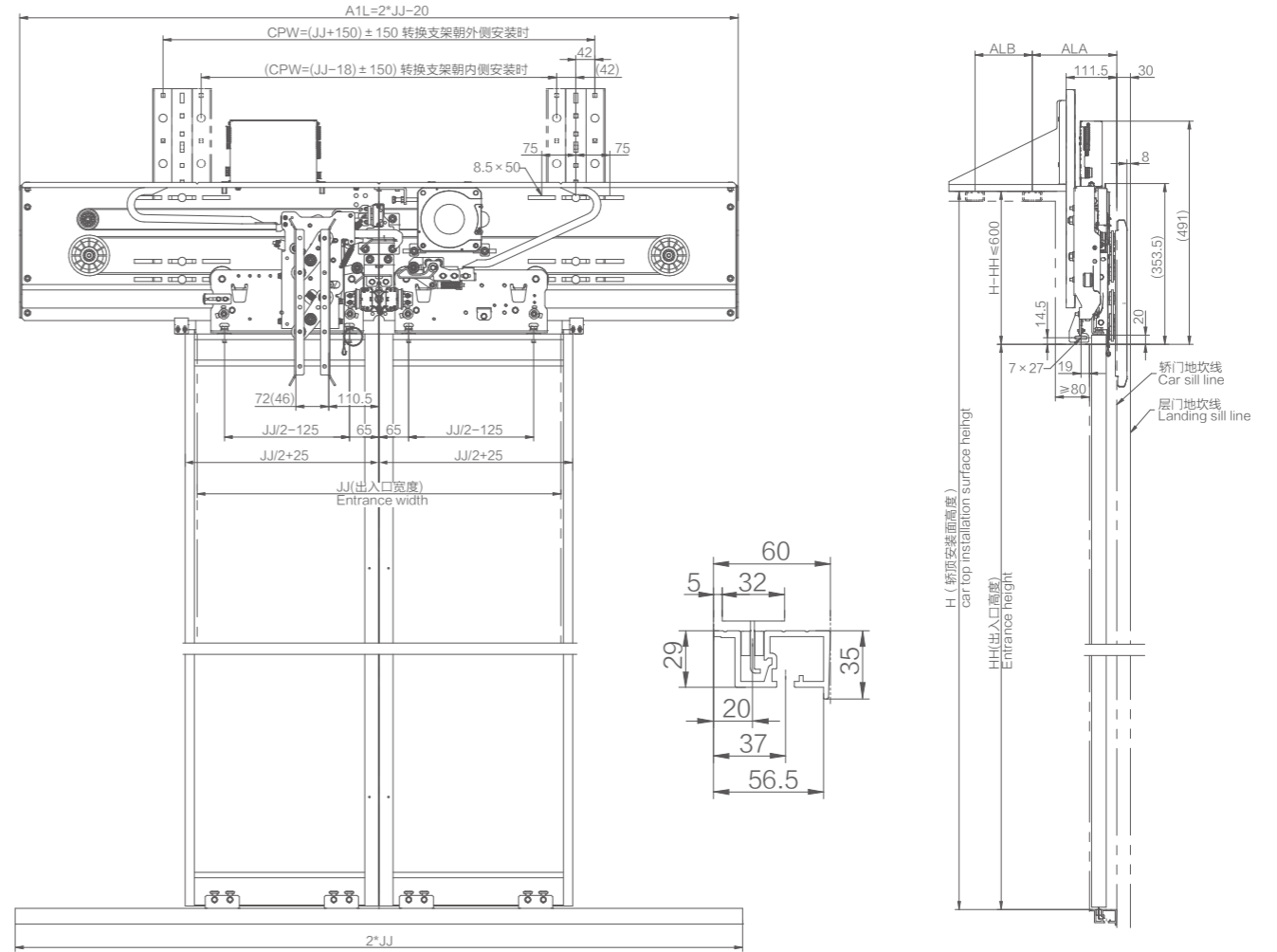
单位: mm

JJ	600	650	700	750	800	850	900	950	1000	1050	1100	1150	1200	1250	1300
A1L	1180	1280	1380	1480	1580	1680	1780	1880	1980	2080	2180	2280	2380	2480	2580
ALA	137-235														
ALA+ALB	257-367														

特征描述	Feature Description
安全认证 电机、变频器、一体式轿门锁门刀取得CE认证	Safety Certification Motor, inverter, integrated door lock, door vane have obtained CE certifications
安全可靠 门区门电机带电、失电均可扒门自救/救援	Security and Reliability When the door operator is in door area, psaaengers can be rescued/salg-rescued whenever power on off
调试方便 智能门宽调试	Convenient Adjustment Intelligent door width adjustment
温升控制 电机温升精准监控	Temperature Control Accurate monitoring of motor temperature rise
矢量控制 调速范围宽, 控制精度高, 动态响应速度快, 运行噪音低	Vector Control Wide speed adjustment range, high control accuracy, fast dynamic response and low noises
运行稳定 通过EMC和多种环境试验	Stable Operation Passed EMC and multiple environmental tests
数据通讯 可与工控机进行数据通讯	Data Communication Data communication with industrial computers
工作电压 许用范围宽, 适用性强: AC220V ± 20%; 50/60HZ	Operating Voltage Wide range of applications and good applicability, AC220V ± 20%; 50/60Hz

接口尺寸图

Installation Drawing



概述

电梯门

曳引机

安全部件

选型配置

Options

防护等级

Protection Grade

IP等级 IP Grade	可选 Optional
IP20	✓
IP54	✓

地坎选型

Sill Option

地坎类型 Sill Types	图片 Picture	可选 Optional
铝地坎 Aluminum Sill		✓
不锈钢地坎 Stainless Steel Sill		✗

门板选型

Door Panel Option

门板类型 Door Panel Types	图片 Picture	可选 Optional
碳钢门板 Power-coated Door Panel		✓
不锈钢门板 Stainless Steel Door Panel		✓
包覆门板 Cladding Door Panel		✓

层门选型

Landing Door Option

产品名称 Product Name	所在页码 Page No.
05E中分层门 05E center opening landing door device	● P19
05S中分层门 05S center opening landing door device	● P29
05C中分层门 05C center opening landing door device	● P41

备注: TKP161-05G05中分层门 TKP161-05G05S中分层门可选配
Tips: TKP161-05G05 center opening landing door device
TKP161-05G05S center opening landing door device optional

05E 中分层门

Center Opening Landing Door Device



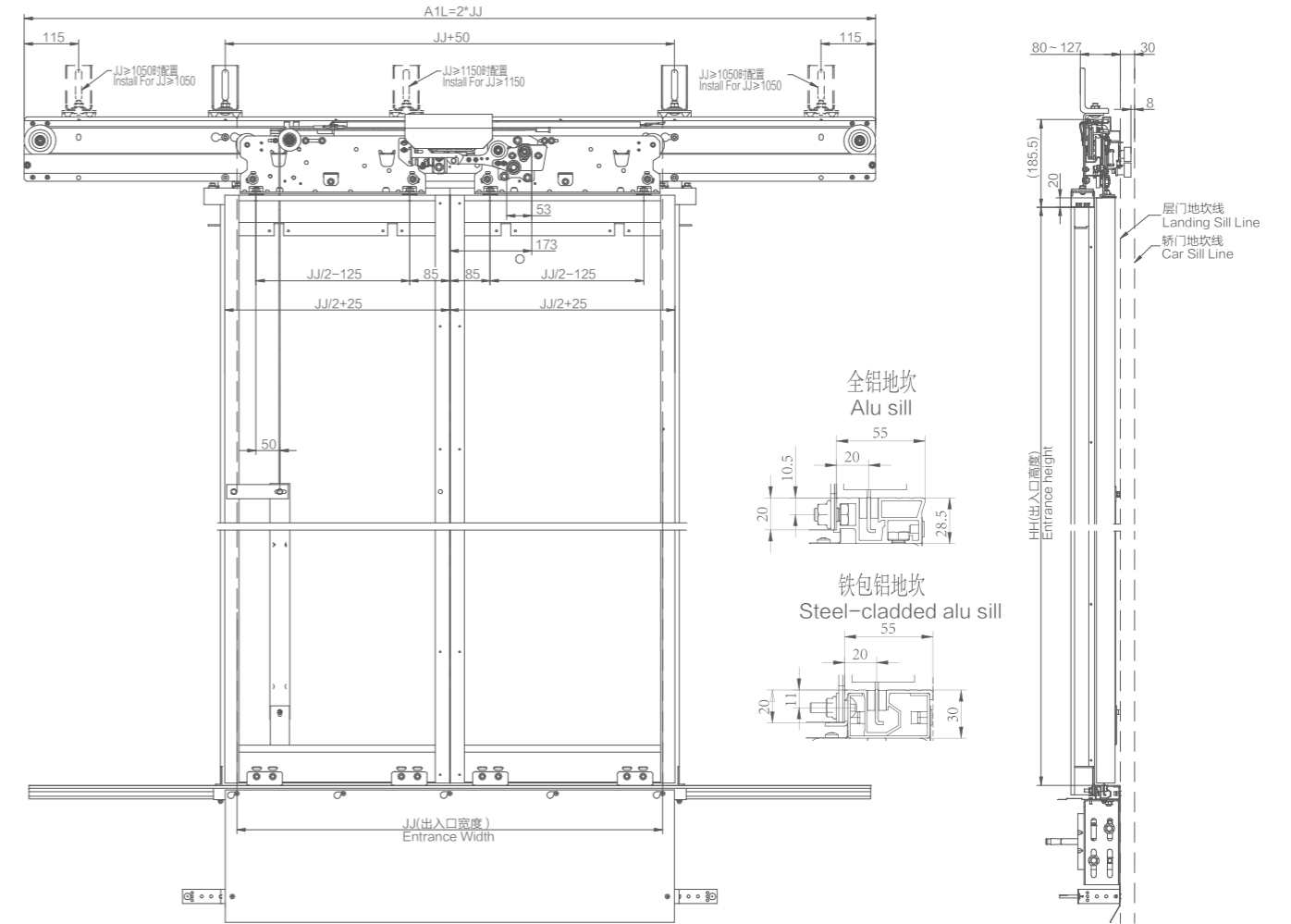
单位: mm

JJ	600	650	700	750	800	850	900	950	1000	1050	1100	1150	1200	1250	1300
A1L	1200	1300	1400	1500	1600	1700	1800	1900	2000	2100	2200	2300	2400	2500	2600

特征描述		Feature Description	
安全认证	门锁取得CE认证	Safety Certification	The door lock has obtained CE certification
安全可靠	门扇互锁, 安全可靠	Security and Reliability	The door leaves interlock ,which makes more safe and reliable.
承载能力强	上坎高度高, 抗弯截面系数大, 抗弯能力强	Strong Load Ability	High upper sill, large bending section coefficient and strong bending resistance
防尘、防水佳	门锁开关倒置, 具有更优的防尘、防水效果	Good Dustproof and Waterproof	Interlock switch inversion makes a better dustproof and waterproof.
调节便利	门锁球独立调节, 与其他配合部件关联性低, 工地调整方便	Convenient Adjustment	The door lock balls can be adjusted independently with low connection with other spares, which is more easy to adjust at site
自闭方式	重锤/弹簧	Self-closing Way	By counterweight/spring
开锁方式	门板解锁/门楣解锁(防火)	Unlocking Way	Door panel unlocking/Door frame unlocking(Fire rated)
耐火认证	GB/T27903; EN81-58; TP EA3C 043	Fire Resistance Certification	GB/T27903; EN81-58; TP EA3C 043

接口尺寸图

Installation Drawing



选型配置

Options

防护等级

Protection Grade

IP等级 IP Grade	可选 Optional
IP20	✓
IP44	✓

地坎选型

Sill Option

地坎类型 Sill Types	图片 Picture	可选 Optional
铝地坎 Aluminum Sill		✓
不锈钢地坎 Stainless Steel Sill		✗

门板选型

Door Panel Option

门板类型 Door Panel Types	图片 Picture	可选 Optional
碳钢门板 Power-coated Door Panel		✓
不锈钢门板 Stainless Steel Door Panel		✓
包覆门板 Cladding Door Panel		✓

门机选型

Door Operator Option

产品名称 Product Name	所在页码 Page No.
09E中分永磁同步门机 center opening PM synchronous door operator	● P17
09S中分永磁同步门机 center opening PM synchronous door operator	● P23

概述

电梯门

曳引机

安全部件

05E 中分层门 (正钩)

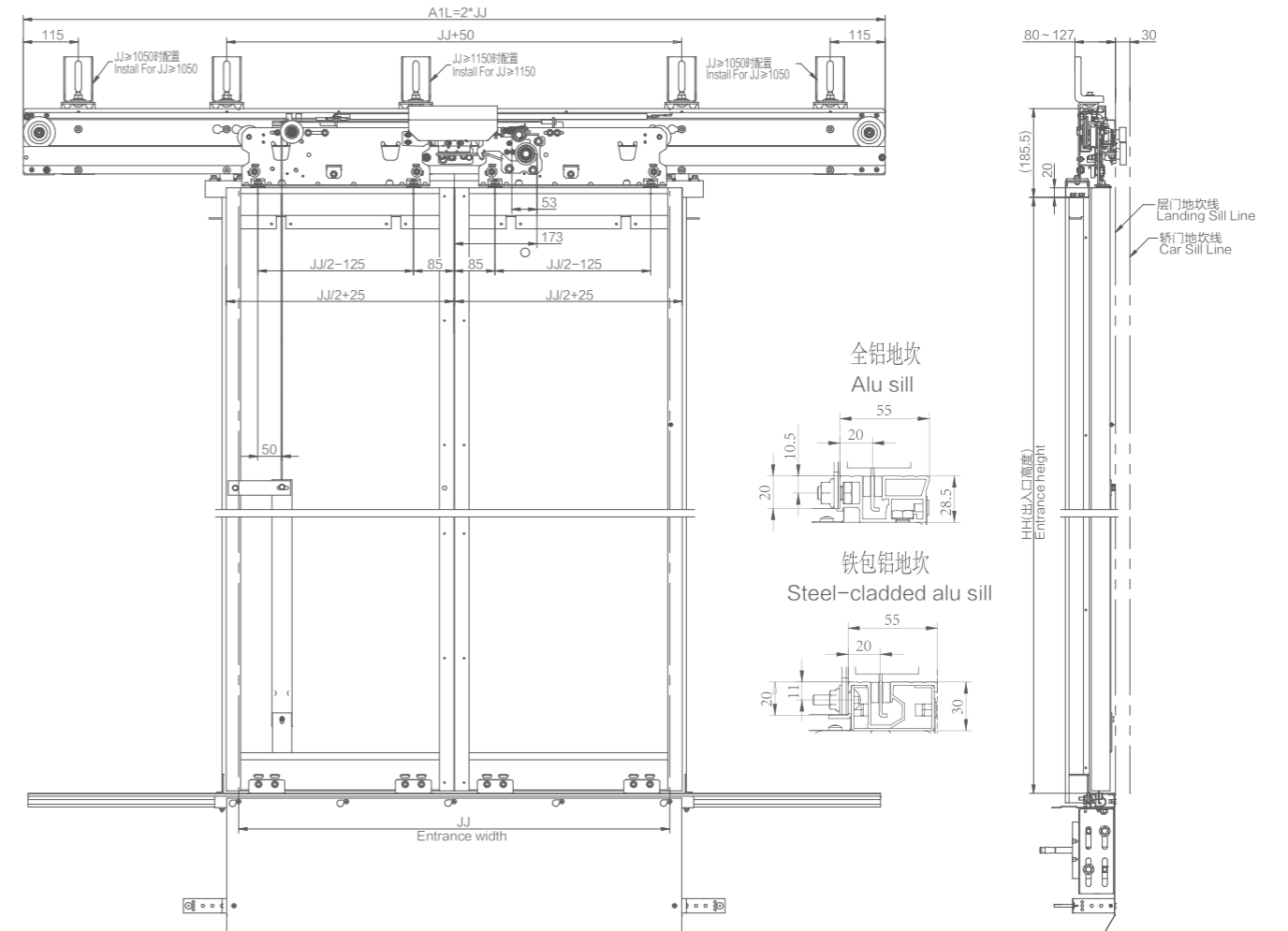
Center Opening Landing Door Device (Positive Hook)



		单位: mm													
JJ	600	650	700	750	800	850	900	950	1000	1050	1100	1150	1200	1250	1300
A1L	1200	1300	1400	1500	1600	1700	1800	1900	2000	2100	2200	2300	2400	2500	2600

特征描述		Feature Description	
安全认证	门锁取得CE认证	Safety Certification	The door lock has obtained CE certification
安全可靠	继承161型门锁优点, 开关升级符合IP2X要求	Security and Reliability	Inherit the advantages of the 161 type door lock; the switch upgrade meets IP2X requirements
承载能力强	上坎高度高, 抗弯截面系数大, 抗弯能力强	Strong Load Ability	High upper sill, large bending section coefficient and strong bending resistance
自闭方式	重锤/弹簧	Self-closing Way	By counterweight/spring
开锁方式	门板解锁	Unlocking Way	Door panel unlocking
耐火认证	GB/T27903; EN81-58; TP EA3C 043	Fire Resistance Certification	GB/T27903; EN81-58; TP EA3C 043

接口尺寸图 Installation Drawing



概述

电梯门

曳引机

安全部件

选型配置

Options

防护等级
Protection Grade

IP等级 IP Grade	可选 Optional
IP20	✓
IP44	✗

地坎选型
Sill Option

地坎类型 Sill Types	图片 Picture	可选 Optional
铝地坎 Aluminum Sill		✓
不锈钢地坎 Stainless Steel Sill		✗

门板选型
Door Panel Option

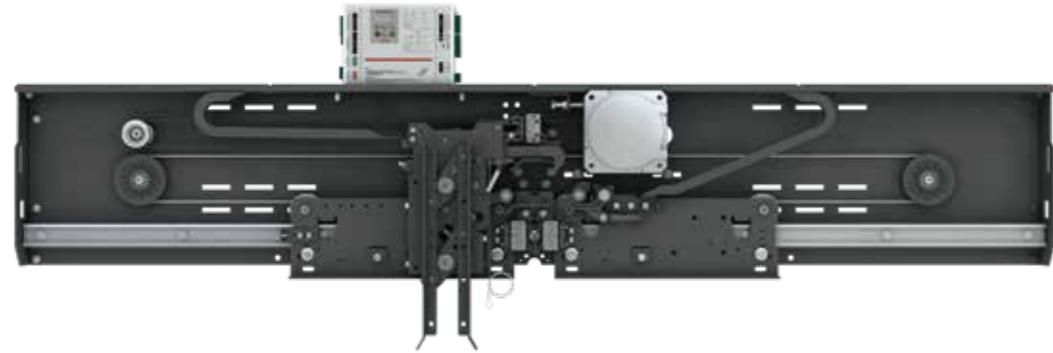
门板类型 Door Panel Types	图片 Picture	可选 Optional
碳钢门板 Power-coated Door Panel		✓
不锈钢门板 Stainless Steel Door Panel		✓
包覆门板 Cladding Door Panel		✓

门机选型
Door Operator Option

产品名称 Product Name	所在页码 Page No.
09E中分永磁同步门机 center opening PM synchronous door operator	● P17
09S中分永磁同步门机 center opening PM synchronous door operator	● P23

09S 中分永磁同步门机

Center Opening PM Synchronous Door Operator

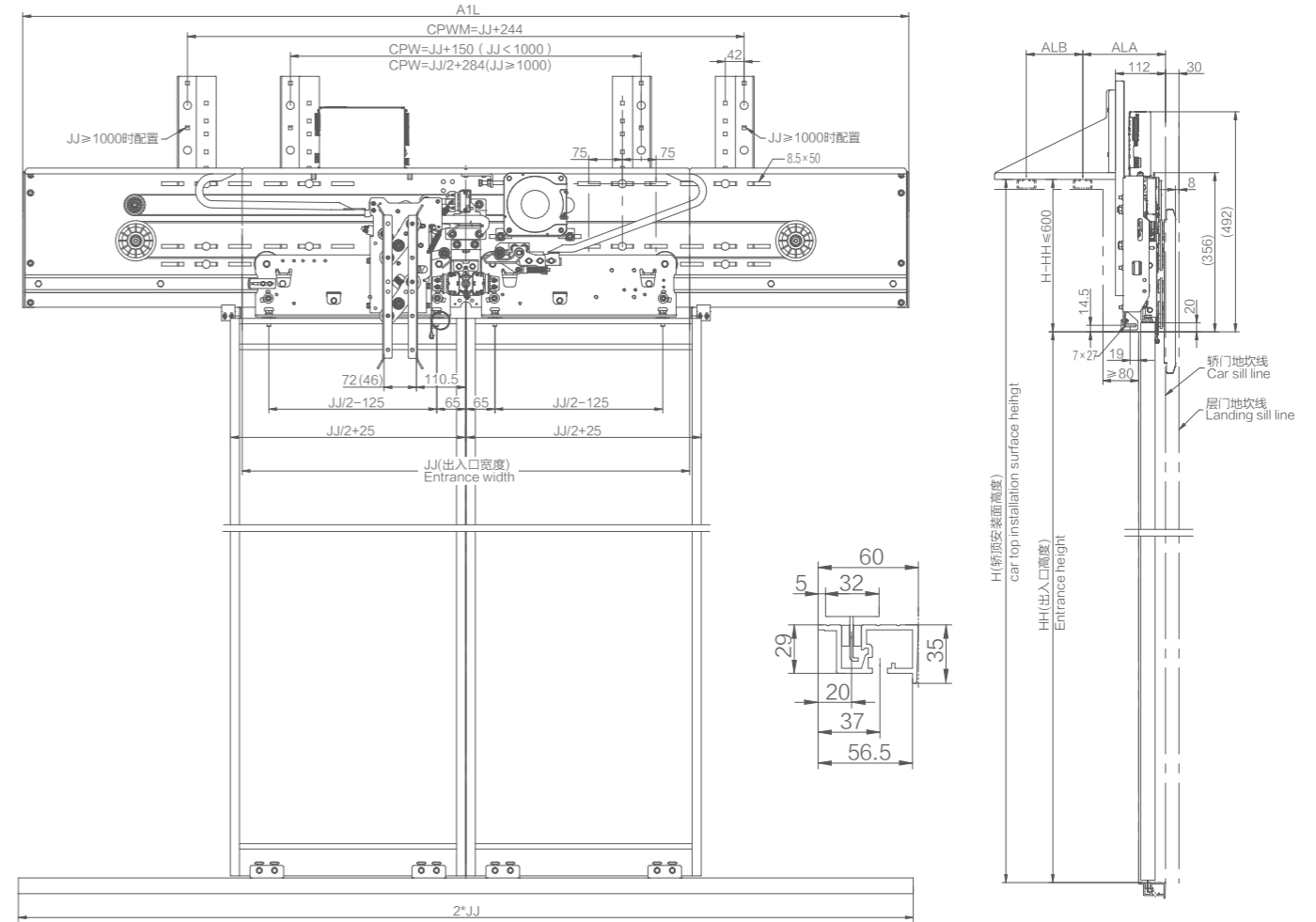


单位: mm

JJ	600	650	700	750	800	850	900	950	1000	1050	1100	1150	1200	1250	1300	1350	1400
A1L	1180	1280	1380	1480	1580	1680	1780	1880	1980	2080	2180	2280	2380	2480	2580	2680	2780
ALA	137-235																
ALA+ALB	257-367																

特征描述	Feature Description
安全认证 电机、变频器、一体式轿门锁门刀取得CE认证	Safety Certification Motor, inverter, integrated door lock, door vane have obtained CE certifications
安全可靠 门区门电机带电、失电均可扒门自救/救援	Security and Reliability When the door operator is in door area, passengers can be rescued/salvaged when power is on/off
调试方便 智能门宽调试	Convenient Adjustment Intelligent door width adjustment
温升控制 电机温升精准监控	Temperature Control Accurate monitoring of motor temperature rise
矢量控制 调速范围宽, 控制精度高, 动态响应速度快, 运行噪音低	Vector Control Wide speed adjustment range, high control accuracy, fast dynamic response and low noises
运行稳定 通过EMC和多种环境试验	Stable Operation Passed EMC and multiple environmental tests
数据通讯 可与工控机进行数据通讯	Data Communication Data communication with industrial computers
工作电压 许用范围宽, 适用性强; AC220V ± 20%; 50/60HZ	Operating Voltage Wide range of applications and good applicability, AC220V ± 20%; 50/60Hz

接口尺寸图 Installation Drawing



概述

电梯门

曳引机

安全部件

选型配置

Options

防护等级 Protection Grade

IP等级 IP Grade	可选 Optional
IP20	✓
IP54	✓

地坎选型 Sill Option

地坎类型 Sill Types	图片 Picture	可选 Optional
铝地坎 Aluminum Sill		✓
不锈钢地坎 Stainless Steel Sill		✓

门板选型 Door panel Option

门板类型 Door Panel Types	图片 Picture	可选 Optional
碳钢门板 Power-coated Door Panel		✓
不锈钢门板 Stainless Steel Door Panel		✓
包覆门板 Cladding Door Panel		✓
玻璃门板 Glass Door Panel		✓

层门选型 Landing Door Option

产品名称 Product Name	所在页码 Page No.
05S中分层门 05S center opening landing door device	● P29
05E中分层门 05E center opening landing door device	● P19
05C中分层门 05C center opening landing door device	● P41

备注: TKP161-05G05中分层门 TKP161-05G05S中分层门可选配
 Tips: TKP161-05G05 center opening landing door device optional
 TKP161-05G05S center opening landing door device optional

09S 旁开双折永磁同步门机

Side Opening PM Synchronous Door Operator

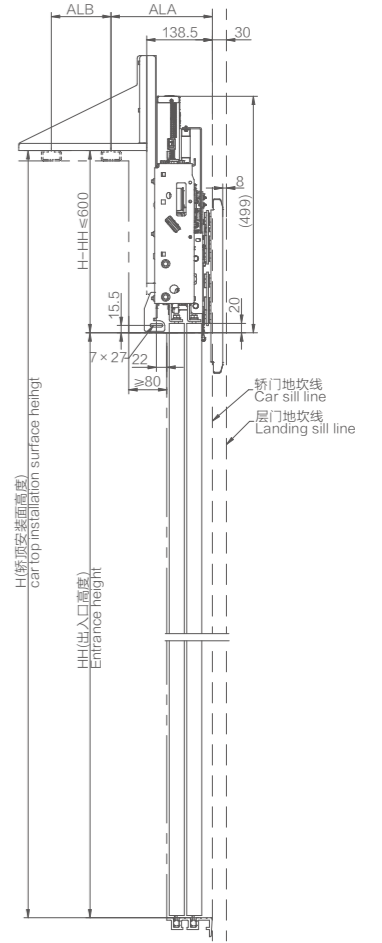
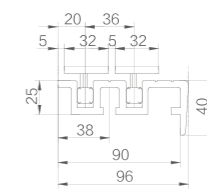
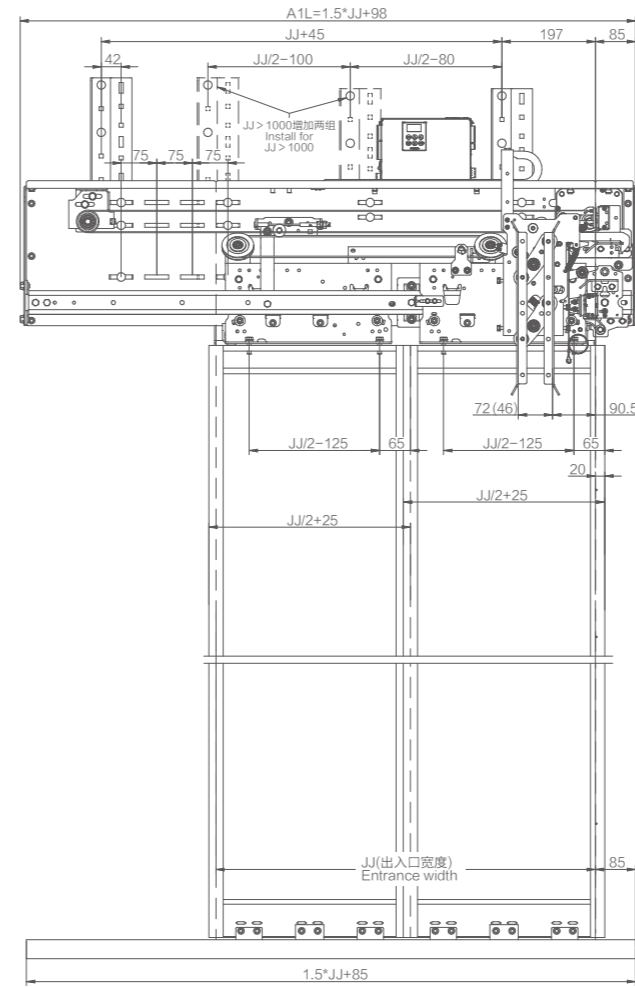


单位: mm

JJ	600	650	700	750	800	850	900	950	1000	1050	1100	1150	1200	1250	1300	1350	1400	1450	1500	1550	1600	1650	1700	1750	1800
A1L	998	1073	1148	1223	1298	1373	1448	1523	1598	1673	1748	1823	1898	1973	2048	2123	2198	2273	2348	2423	2498	2573	2648	2723	2798
ALA	164-262																								
ALA+ALB	284-394																								

特征描述		Feature Description	
安全认证	电机、变频器、一体式轿门锁门刀取得CE认证	Safety Certification	Motor, inverter, integrated door lock, door vane have obtained CE certifications
安全可靠	门区门电机带电、失电均可扒门自救/救援	Security and Reliability	When the door operator is in door area, psaaengers can be rescued/salg-rescued whenever power on off
调试方便	智能门宽调试	Convenient Adjustment	Intelligent door width adjustment
温升控制	电机温升精准监控	Temperature Control	Accurate monitoring of motor temperature rise
矢量控制	调速范围宽, 控制精度高, 动态响应速度快, 运行噪音低	Vector Control	Wide speed adjustmeat range, high control accuracy , fast dynamic response and low noises
运行稳定	通过EMC和多种环境试验	Stable Operation	Passed EMC and multiple environmental tests
数据通讯	可与工控机进行数据通讯	Data Communication	Data communication with industrial computers
工作电压	许用范围宽, 适用性强; AC220V ± 20%;50/60HZ	Operating Voltage	Wide range of applications and good applicability, AC220V ± 20%; 50/60Hz

接口尺寸图 Installation Drawing



概述

电梯门

曳引机

安全部件

选型配置

Options

防护等级 Protection Grade

IP等级 IP Grade	可选 Optional
IP20	✓
IP54	✓

地坎选型 Sill Option

地坎类型 Sill Types	图片 Picture	可选 Optional
铝地坎 Aluminum Sill		✓
钢板地坎 Steel Sheet Sill		✓
钢刨地坎 Steel Plane Sill		✓
铸铁地坎 Cast Iron Sill		✓

门板选型 Door panel Option

门板类型 Door Panel Types	图片 Picture	可选 Optional
碳钢门板 Power-coated Door Panel		✓
不锈钢门板 Stainless Steel Door Panel		✓
包覆门板 Cladding Door Panel		✓
玻璃门板 Glass Door Panel		✓

层门选型 Landing Door Option

产品名称 Product Name	所在页码 Page No.
05S旁开双折层门 05S 4-panel center opening landing door device	● P31
备注: THP161-62A可选配 Tips: THP161-62A device optional	

09S 中分双折永磁同步门机

4-Panel Center Opening PM Synchronous Door Operator

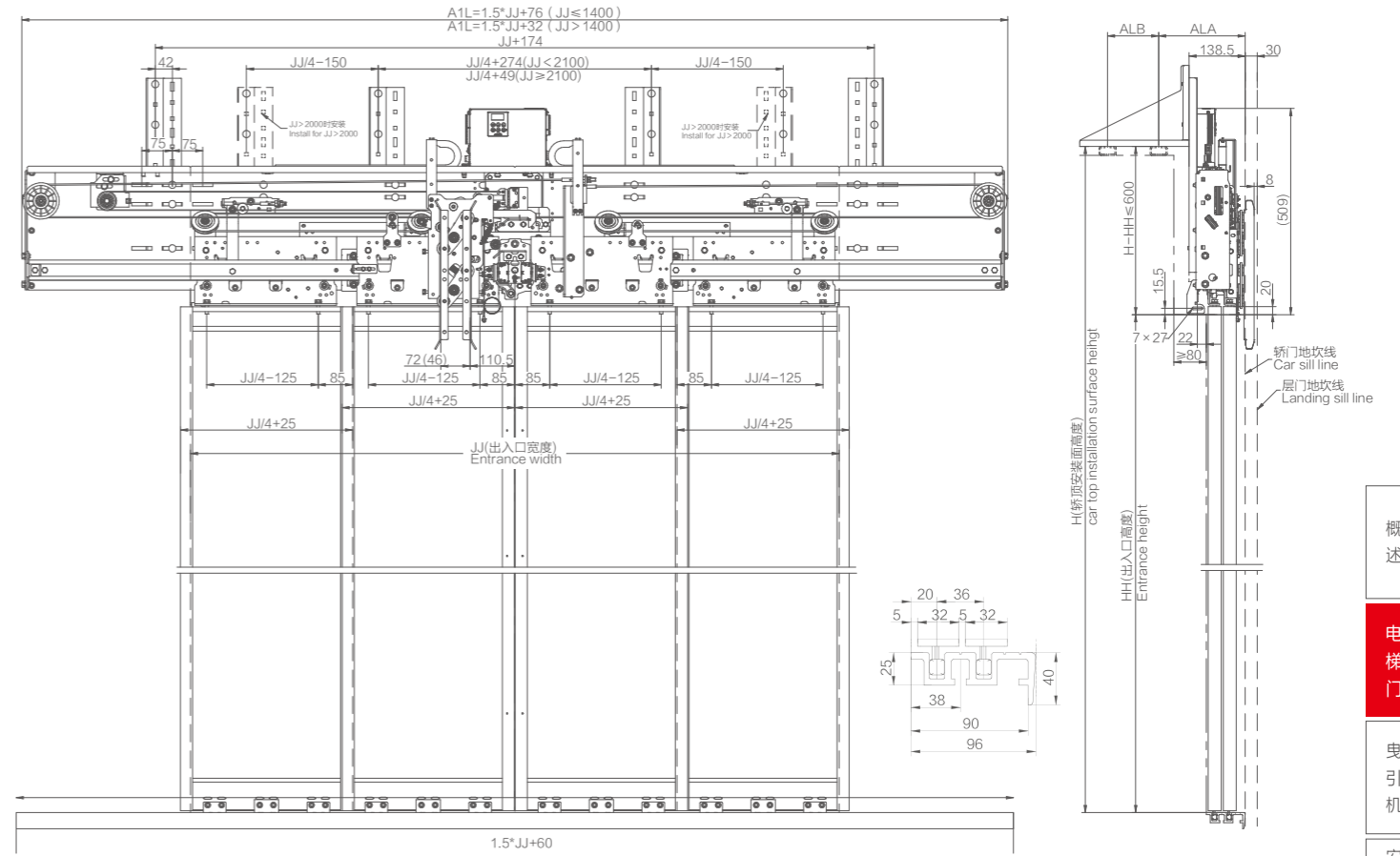


单位: mm

JJ	1200	1300	1400	1500	1600	1700	1800	1900	2000	2100	2200	2300	2400	2500	2600	2700	2800	2900	3000
A1L	1876	2026	2176	2282	2432	2582	2732	2882	3032	3182	3332	3482	3632	3782	3932	4082	2800	4382	4532
ALA	164-262																		
ALA+ALB	284-394																		

特征描述		Feature Description	
安全认证	电机、变频器、一体式轿门锁门刀取得CE认证	Safety Certification	Motor, inverter, integrated door lock, door vane have obtained CE certifications
安全可靠	门区门电机带电、失电均可扒门自救/救援	Security and Reliability	When the door operator is in door area, psaaengers can be rescued/salg-rescued whenever power on off
调试方便	智能门宽调试	Convenient Adjustment	Intelligent door width adjustment
温升控制	电机温升精准监控	Temperature Control	Accurate monitoring of motor temperature rise
矢量控制	调速范围宽, 控制精度高, 动态响应速度快, 运行噪音低	Vector Control	Wide speed adjustmeat range, high control accuracy , fast dynamic response and low noises
运行稳定	通过EMC和多种环境试验	Stable Operation	Passed EMC and multiple environmental tests
数据通讯	可与工控机进行数据通讯	Data Communication	Data communication with industrial computers
工作电压	许用范围宽, 适用性强; AC220V ± 20%;50/60HZ	Operating Voltage	Wide range of applications and good applicability, AC220V ± 20%; 50/60Hz

接口尺寸图 Installation Drawing



概述
电梯门
曳引机
安全部件

选型配置

Options

防护等级 Protection Grade

IP等级 IP Grade	可选 Optional
IP20	✓
IP54	✓

地坎选型 Sill Option

地坎类型 Sill Types	图片 Picture	可选 Optional
铝地坎 Aluminum Sill		✓
钢板地坎 Steel Sheet Sill		✓
钢制地坎 Steel Plane Sill		✓
铸铁地坎 Cast Iron Sill		✓

门板选型 Door panel Option

门板类型 Door Panel Types	图片 Picture	可选 Optional
碳钢门板 Power-coated Door Panel		✓
不锈钢门板 Stainless Steel Door Panel		✓
包覆门板 Cladding Door Panel		✓
玻璃门板 Glass Door Panel		✓

层门选型 Landing Door Option

产品名称 Product Name	所在页码 Page No.
05S中分双折层门 05S 4-panel center opening landing door device	● P33
备注: THP161-35A可选配 Tips: THP161-35A device optional	

05S 中分层门

Center Opening Landing Door Device

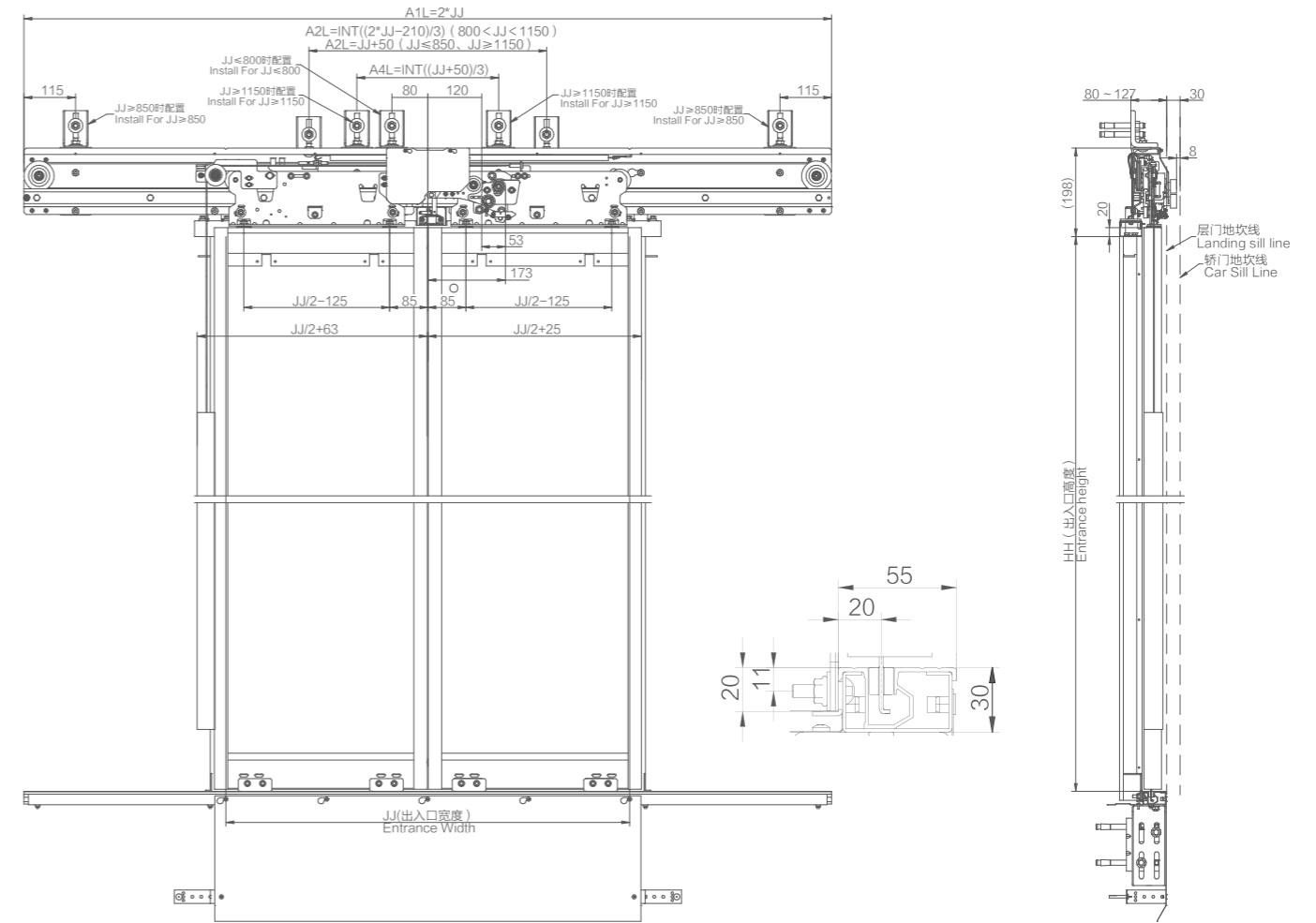


JJ	600	650	700	750	800	850	900	950	1000	1050	1100	1150	1200	1250	1300	1350	1400
A1L	1200	1300	1400	1500	1600	1700	1800	1900	2000	2100	2200	2300	2400	2500	2600	2700	2800
A2L	650	700	750	800	850	497	530	563	597	630	663	1200	1250	1300	1350	1400	1450
A3L	1470	1470	1470	1470	1470	1670	1670	1670	1670	1870	1870	1870	1870	1970	1970	1970	1970
A4L											400	417	433	450	466	483	

单位: mm

特征描述	Feature Description
安全认证 门锁取得CE认证	Safety Certification The door lock has obtained CE certification
安全可靠 门扇互锁, 安全可靠	Security and Reliability The door panels can be interlocked, which makes more safe and reliable.
承载能力强 上坎高度高, 抗弯截面系数大, 抗弯能力强	Strong Load Ability High upper sill, large bending section coefficient and strong bending resistance
防尘、防水佳 门锁开关倒置, 具有更优的防尘、防水效果	Good Dustproof and Waterproof Inverted Interlock switch makes better dustproof and waterproof.
调节便利 门锁球独立调节, 与其他配合部件关联性低, 工地调整方便	Convenient Adjustment The door lock balls can be adjusted independently with low connection with other spares, which is more easy to adjust at site
自闭方式 重锤/弹簧	Self-closing Way By counterweight/spring
开锁方式 门板解锁/门楣解锁	Unlocking Way Door panel /door lintel unlocking
耐火认证 GB/T27903; EN81-58; TP EA3C 043	Fire Resistance Certification GB/T27903; EN81-58; TP EA3C 043

接口尺寸图 Installation Drawing



选型配置

Options

防护等级 Protection Grade

IP等级 IP Grade	可选 Optional
IP20	✓
IP44	✓

地坎选型 Sill Option

地坎类型 Sill Types	图片 Picture	可选 Optional
铝地坎 Aluminum Sill		✓
不锈钢地坎 Stainless Steel Sill		✗

门板选型 Door panel Option

门板类型 Door Panel Types	图片 Picture	可选 Optional
碳钢门板 Power-coated Door Panel		✓
不锈钢门板 Stainless Steel Door Panel		✓
包覆门板 Cladding Door Panel		✓
玻璃门板 Glass Door Panel		✓

门机选型 Door Operator Option

产品名称 Product Name	所在页码 Page No.
09S中分永磁同步门机 center opening PM synchronous door operator	● P23
09E中分永磁同步门机 center opening PM synchronous door operator	● P17

概述

电梯门

曳引机

安全部件

05S 旁开双折层门

Side Opening Landing Door Device

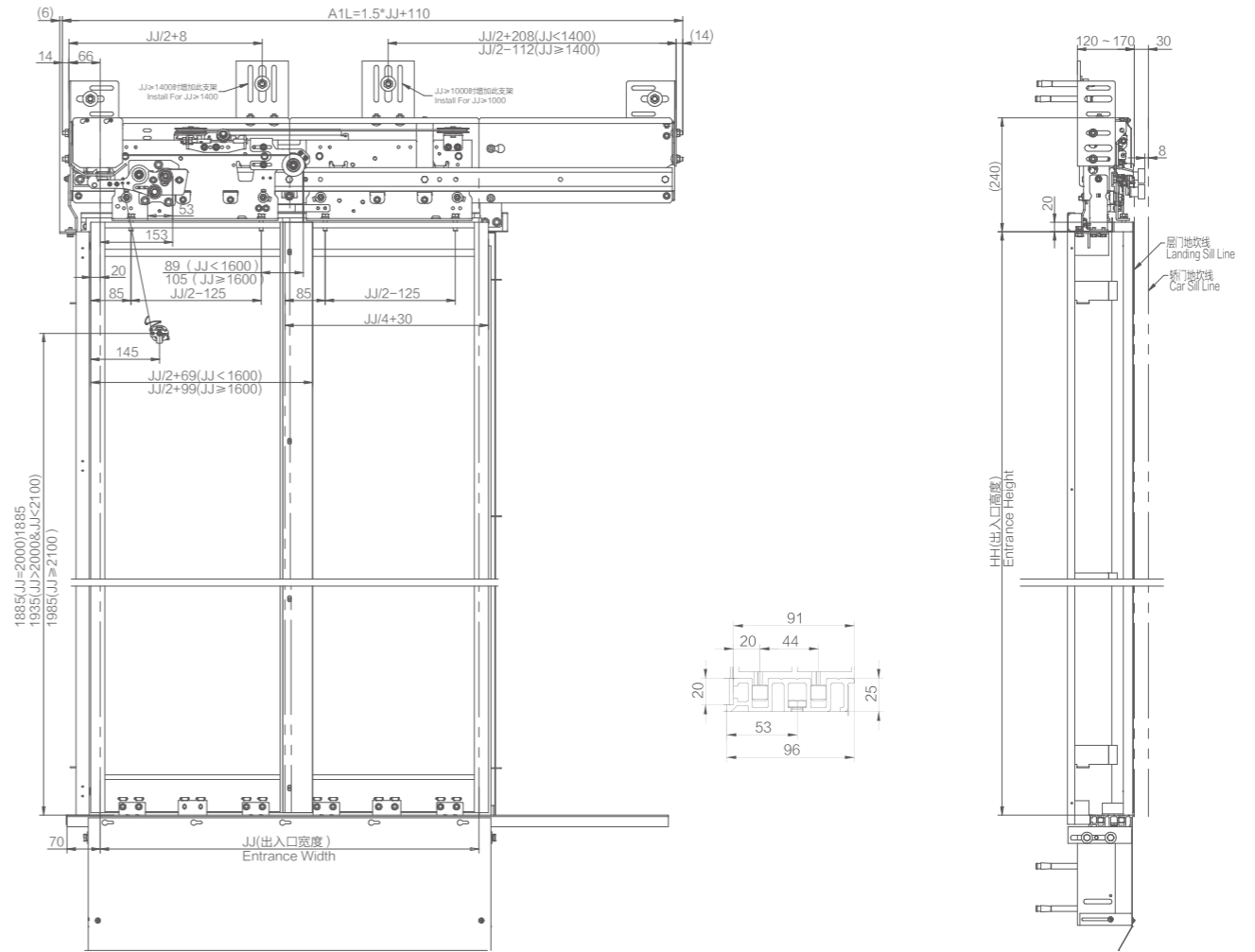


单位: mm

JJ	600	650	700	750	800	850	900	950	1000	1050	1100	1150	1200	1250	1300	1350	1400	1450	1500	1550	1600	1650	1700	1750	1800
A1L	1010	1085	1160	1235	1310	1385	1460	1535	1610	1685	1760	1835	1910	1985	2060	2135	2210	2285	2360	2435	2510	2585	2660	2735	2810

特征描述		Feature Description	
安全认证	门锁取得CE认证	Safety Certification	The door lock has obtained CE certification
安全可靠	门扇互锁, 安全可靠	Security and Reliability	The door panels can be interlocked, which makes more safe and reliable.
机械性能佳	内外加高型实心导轨, 弓形导轨支架, 抗弯、抗扭能力强	Good Mechanical Properties	Internal and external enhighed solid guide rail, bow shaped guide rail bracket, with strong bending and torsion resistance
防尘、防水佳	门锁开关倒置, 具有更优的防尘、防水效果	Good Dustproof and Waterproof	Inverted Interlock switch makes better dustproof and waterproof.
调节便利	门锁球独立调节, 与其他配合部件关联性低, 工地调整方便	Convenient Adjustment	The door lock balls can be adjusted independently with low connection with other spares, which is more easy to adjust at site
自闭方式	重锤	Self-closing Way	By counterweight
开锁方式	门板解锁/门楣解锁	Unlocking Way	Door panel /door lintel unlocking
耐火认证	GB/T27903; EN81-58; TP EA3C 043	Fire Resistance Certification	GB/T27903; EN81-58; TP EA3C 043

接口尺寸图 Installation Drawing



概述

电梯门

曳引机

安全部件

选型配置

Options

防护等级 Protection Grade

IP等级 IP Grade	可选 Optional
IP20	✓
IP44	✓

地坎选型 Sill Option

地坎类型 Sill Types	图片 Picture	可选 Optional
铝地坎 Aluminum Sill		✓
钢板地坎 Steel Sheet Sill		✓
钢刨地坎 Steel Plane Sill		✓
铸铁地坎 Cast Iron Sill		✓

门板选型 Door panel Option

门板类型 Door Panel Types	图片 Picture	可选 Optional
碳钢门板 Power-coated Door Panel		✓
不锈钢门板 Stainless Steel Door Panel		✓
包覆门板 Cladding Door Panel		✓
玻璃门板 Glass Door Panel		✓

门机选型 Door Operator Option

产品名称 Product Name	所在页码 Page No.
09S旁开双折永磁同步门机 Side opening PM synchronous door operator	● P25

05S 中分双折层门

4-panel Center Opening Landing Door Device

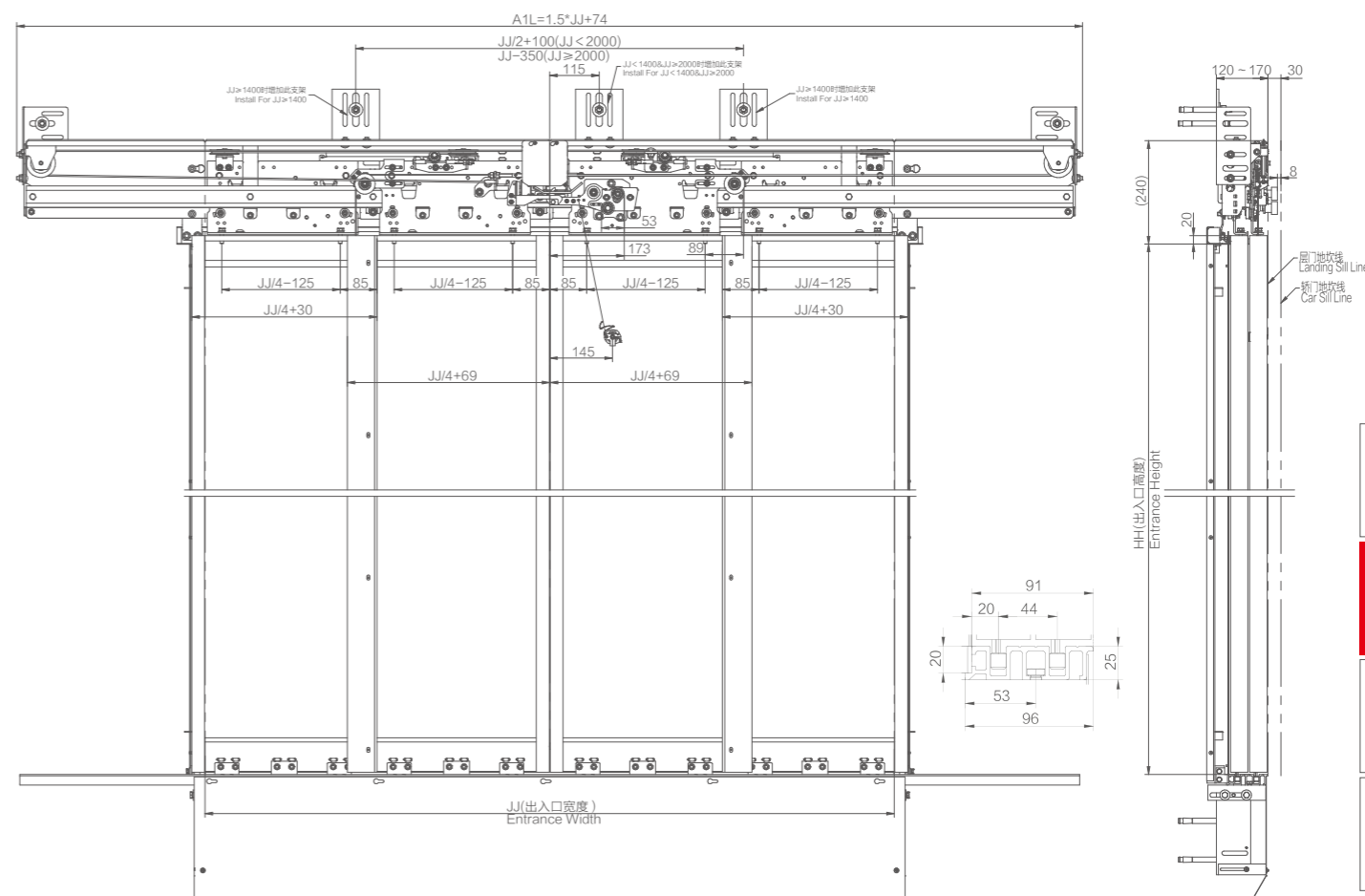


JJ	1200	1300	1400	1500	1600	1700	1800	1900	2000	2100	2200	2300	2400	2500	2600	2700	2800	2900	3000
A1L	1874	2024	2174	2324	2474	2624	2774	2924	3074	3224	3374	3524	3674	3824	3974	4124	4274	4424	4574

单位: mm

特征描述		Feature Description	
安全认证	门锁取得CE认证	Safety Certification	The door lock has obtained CE certification
安全可靠	门扇互锁, 安全可靠	Security and Reliability	The door panels can be interlocked, which makes more safe and reliable.
机械性能佳	内外加高型实心导轨, 弓形导轨支架, 抗弯、抗扭能力强	Good Mechanical Properties	Internal and external enhighed solid guide rail, bow shaped guide rail bracket, with strong bending and torsion resistance
防尘、防水佳	门锁开关倒置, 具有更优的防尘、防水效果	Good Dustproof and Waterproof	Inverted Interlock switch makes better dustproof and waterproof.
调节便利	门锁球独立调节, 与其他配合部件关联性低, 工地调整方便	Convenient Adjustment	The door lock balls can be adjusted independently with low connection with other spares, which is more easy to adjust at site
自闭方式	重锤	Self-closing Way	By counterweight
开锁方式	门板解锁/门楣解锁	Unlocking Way	Door panel/door lintel unlocking
耐火认证	GB/T27903; EN81-58; TP EA3C 043	Fire Resistance Certification	GB/T27903; EN81-58; TP EA3C 043

接口尺寸图 Installation Drawing



概述
电梯门
曳引机
安全部件

选型配置

Options

防护等级 Protection Grade

IP等级 IP Grade	可选 Optional
IP20	✓
IP44	✓

地坎选型 Sill Option

地坎类型 Sill Types	图片 Picture	可选 Optional
铝地坎 Aluminum Sill		✓
钢板地坎 Steel Sheet Sill		✓
钢刨地坎 Steel Plane Sill		✓
铸铁地坎 Cast Iron Sill		✓

门板选型 Door panel Option

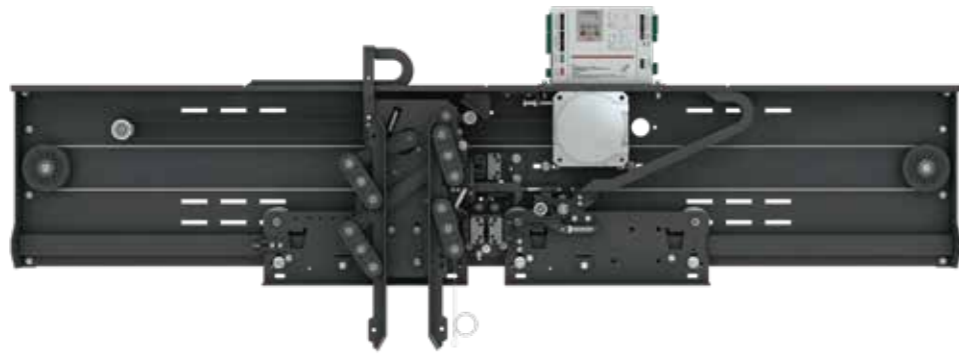
门板类型 Door Panel Types	图片 Picture	可选 Optional
碳钢门板 Power-coated Door Panel		✓
不锈钢门板 Stainless Steel Door Panel		✓
包覆门板 Cladding Door Panel		✓
玻璃门板 Glass Door Panel		✓

门机选型 Door Operator Option

产品名称 Product Name	所在页码 Page No.
09S中分双折永磁同步门机 4-panel center opening PM synchronous door operator	● P27

09C 中分永磁同步门机

Center Opening PM Synchronous Door Operator

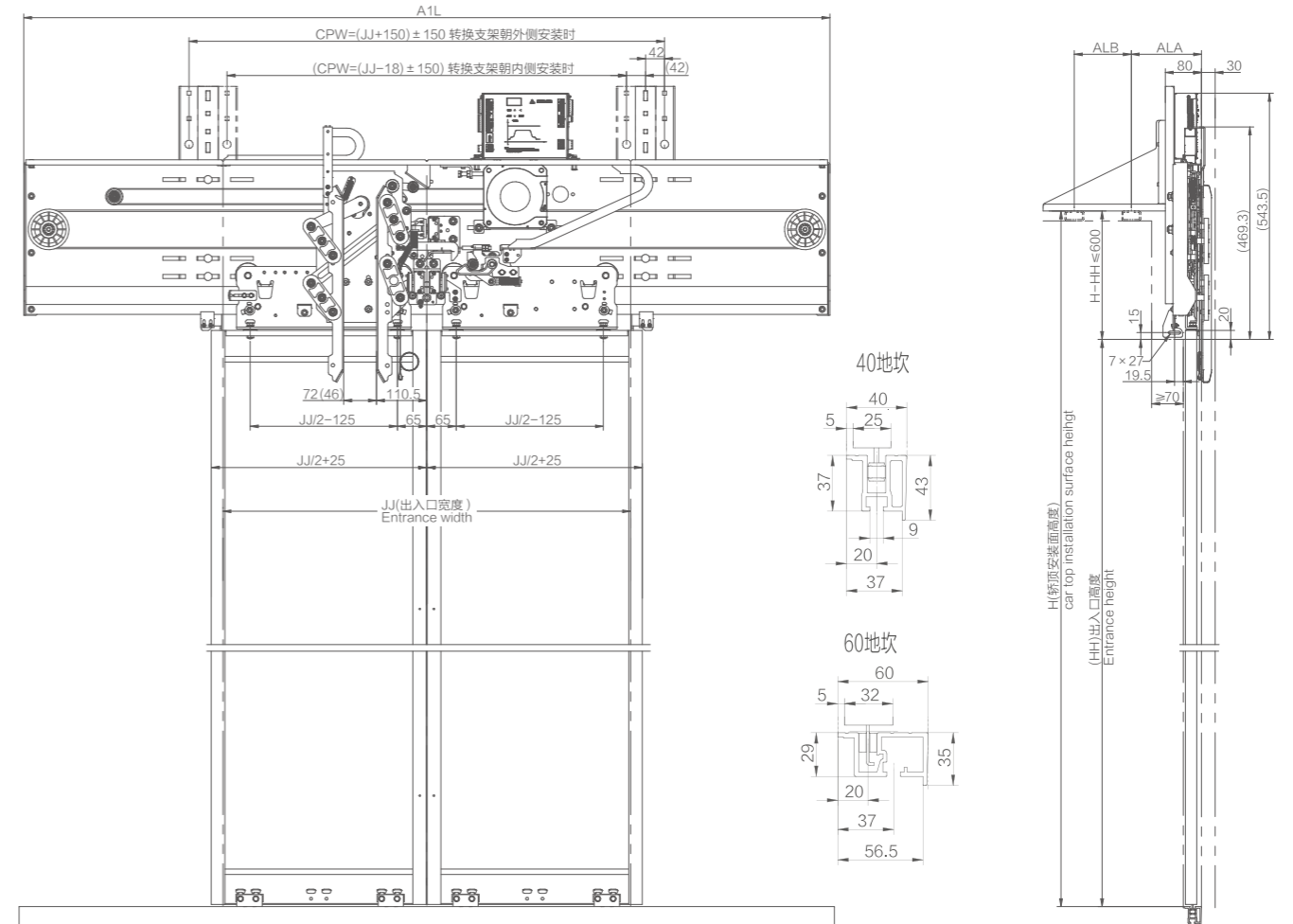


单位: mm

JJ	600	650	700	750	800	850	900	950	1000	1050	1100	1150	1200
A1L	1180	1280	1380	1480	1580	1680	1780	1880	1980	2080	2180	2280	2380
ALA	106-204												
ALA+ALB	232-330												

特征描述	Feature Description
安全认证 电机、变频器、一体式轿门锁门刀取得CE认证	Safety Certification Motor, inverter, integrated door lock, door vane have obtained CE certifications
安全可靠 门区门电机带电、失电均可扒门自救/救援	Security and Reliability When the door operator is in door area, passengers can be rescued/salg-rescued whenever power on off
调试方便 智能门宽调试	Convenient Adjustment Intelligent door width adjustment
温升控制 电机温升精准监控	Temperature Control Accurate monitoring of motor temperature rise
矢量控制 调速范围宽, 控制精度高, 动态响应速度快, 运行噪音低	Vector Control Wide speed adjustment range, high control accuracy, fast dynamic response and low noises
运行稳定 通过EMC和多种环境试验	Stable Operation Passed EMC and multiple environmental tests
数据通讯 可与工控机进行数据通讯	Data Communication Data communication with industrial computers
工作电压 许用范围宽, 适用性强; AC220V ± 20%; 50/60HZ	Operating Voltage Wide range of applications and good applicability, AC220V ± 20%; 50/60Hz

接口尺寸图 Installation Drawing



选型配置

Options

防护等级

Protection Grade

IP等级 IP Grade	可选 Optional
IP20	✓
IP54	✗

地坎选型

Sill Option

地坎类型 Sill Types	图片 Picture	可选 Optional
铝地坎 Aluminum Sill		✓
不锈钢地坎 Stainless Steel Sill		✗

门板选型

Door Panel Option

门板类型 Door Panel Types	图片 Picture	可选 Optional
碳钢门板 Power-coated Door Panel		✓
不锈钢门板 Stainless Steel Door Panel		✓
玻璃门板 Glass Door Panel		✓

层门选型

Landing Door Option

产品名称 Product Name	所在页码 Page No.
05C中分层门装置 05C center opening landing door device	● P41
05E中分层门装置 05E center opening landing door device	● P19
05S中分层门装置 05S center opening landing door device	● P29

概述

电梯门

曳引机

安全部件

09C 旁开双折永磁同步门机

Side opening PM Synchronous Door Operator



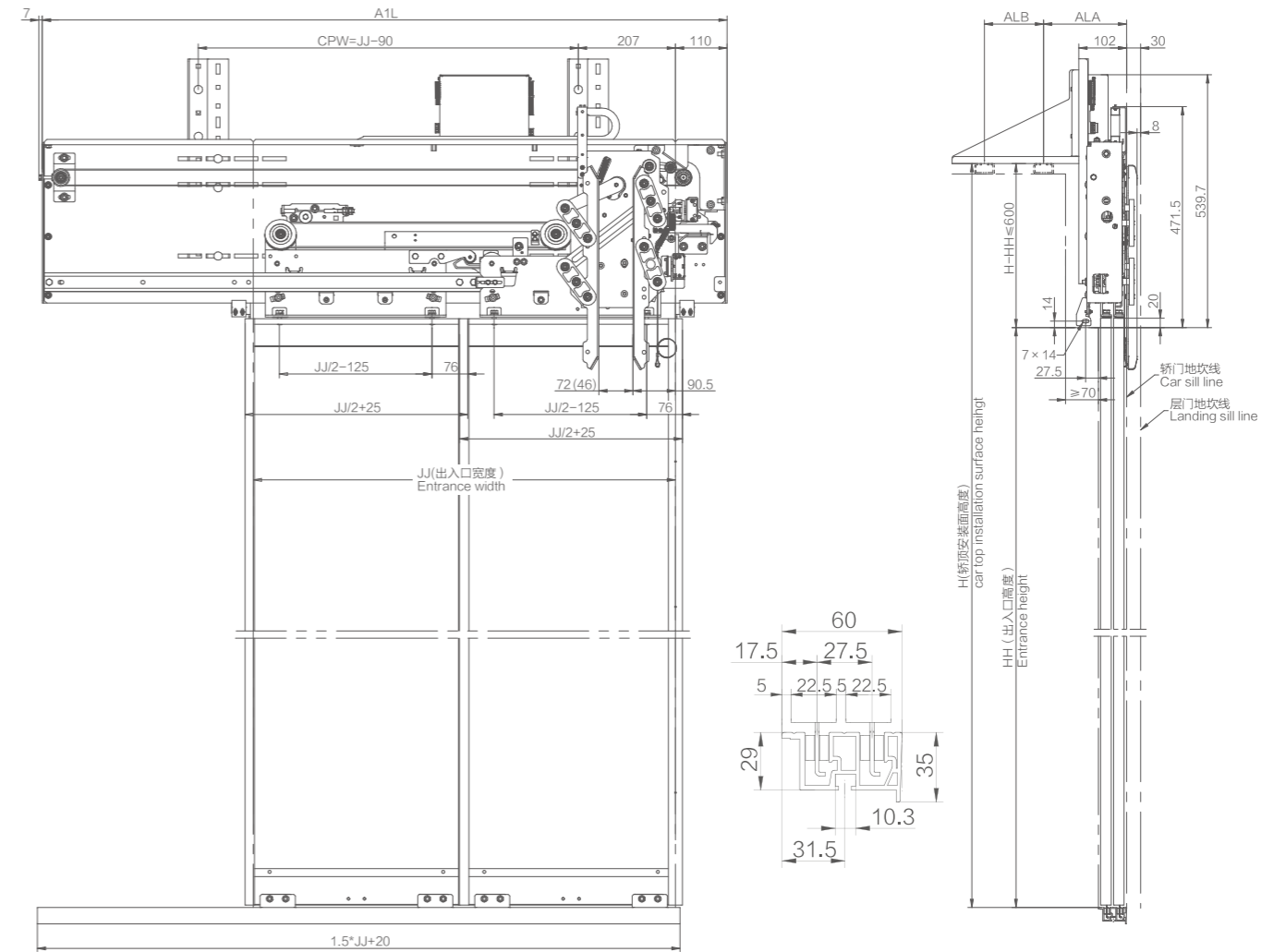
单位: mm

JJ	600	650	700	750	800	850	900	950	1000	1050	1100	1150	1200
A1L	1010	1085	1160	1235	1310	1385	1460	1535	1610	1685	1760	1835	1910
ALA	129-225												
ALA+ALB	249-357												

特征描述	Feature Description
安全认证	电机、变频器、一体式轿门锁门刀取得CE认证
安全可靠	门区门电机带电、失电均可扒门自救/救援
调试方便	智能门宽调试
温升控制	电机温升精准监控
矢量控制	调速范围宽, 控制精度高, 动态响应速度快, 运行噪音低
运行稳定	通过EMC和多种环境试验
数据通讯	可与工控机进行数据通讯
工作电压	许用范围宽, 适用性强; AC220V ± 20%; 50/60HZ

接口尺寸图

Installation Drawing



概述

电梯门

曳引机

安全部件

选型配置

Options

防护等级

Protection Grade

IP等级	可选
IP Grade	Optional
IP20	✓
IP54	✗

地坎选型

Sill Option

地坎类型	图片	可选
Sill Types	Picture	Optional
铝地坎 Aluminum Sill		✓
不锈钢地坎 Stainless Steel Sill		✗

门板选型

Door Panel Option

门板类型	图片	可选
Door Panel Types	Picture	Optional
碳钢门板 Power-coated Door Panel		✓
不锈钢门板 Stainless Steel Door Panel		✓
玻璃门板 Glass Door Panel		✓

层门选型

Landing Door Option

产品名称	所在页码
Product Name	Page No.
05C旁开双折层门 05C side opening landing door device	● P43

09C 中分双折永磁同步门机

4-Panel Center Opening PM Synchronous Door Operator

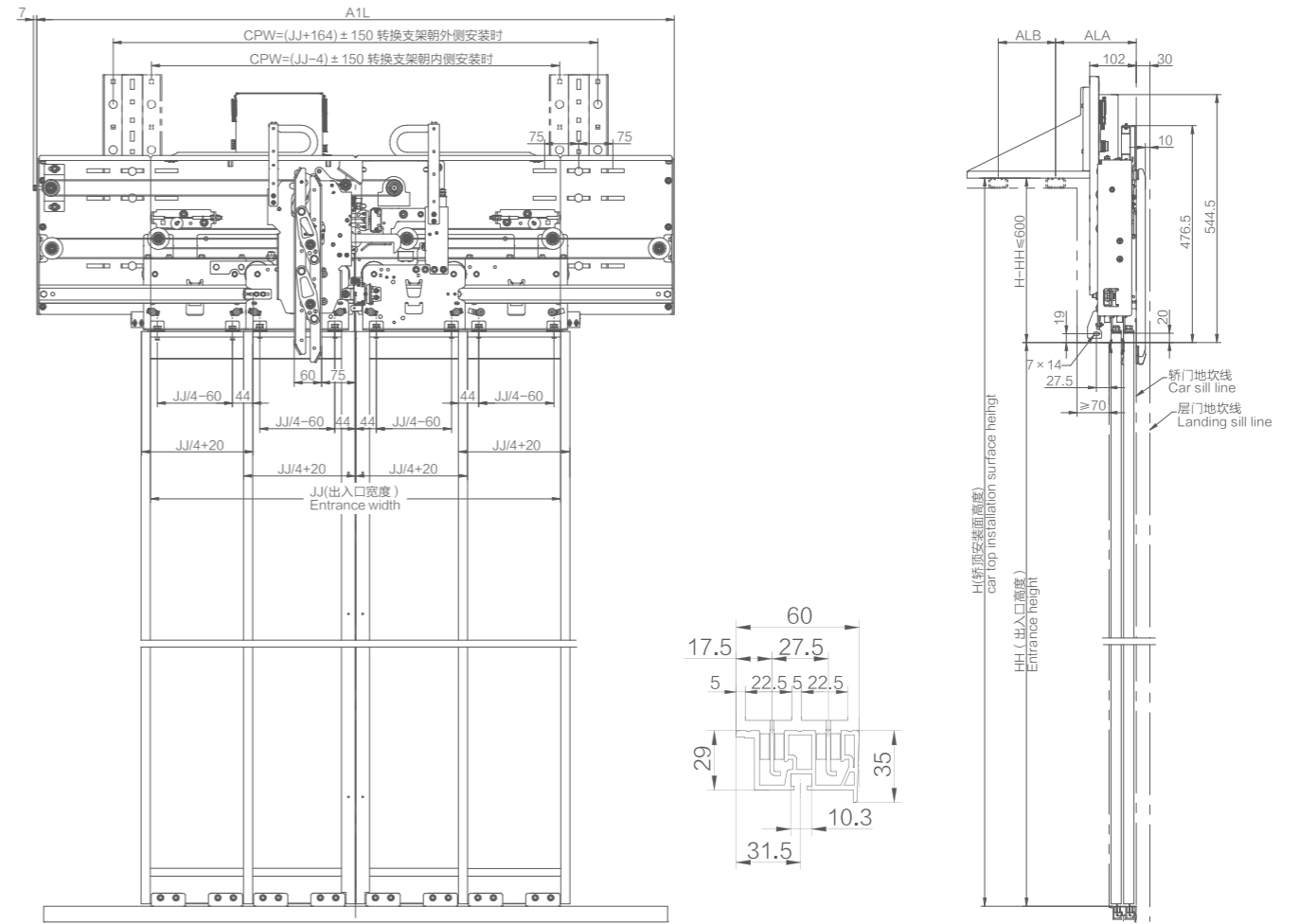


单位: mm

JJ	600	650	700	750	800	850	900	950	1000	1050	1100	1150	1200
A1L	1000	1050	1100	1175	1250	1325	1400	1475	1550	1625	1700	1775	1850
ALA	129-225												
ALA+ALB	249-357												

特征描述	Feature Description
安全认证 电机、变频器、一体式轿门锁门刀取得CE认证	Safety Certification Motor, inverter, integrated door lock, door vane have obtained CE certifications
安全可靠 门区门电机带电、失电均可扒门自救/救援	Security and Reliability When the door operator is in door area, passengers can be rescued/salg-rescued whenever power on off
调试方便 智能门宽调试	Convenient Adjustment Intelligent door width adjustment
温控控制 电机温控精准监控	Temperature Control Accurate monitoring of motor temperature rise
矢量控制 调速范围宽, 控制精度高, 动态响应速度快, 运行噪音低	Vector Control Wide speed adjustment range, high control accuracy, fast dynamic response and low noises
运行稳定 通过EMC和多种环境试验	Stable Operation Passed EMC and multiple environmental tests
数据通讯 可与工控机进行数据通讯	Data Communication Data communication with industrial computers
工作电压 许用范围宽, 适用性强; AC220V ± 20%; 50/60HZ	Operating Voltage Wide range of applications and good applicability, AC220V ± 20%; 50/60Hz

接口尺寸图 Installation Drawing



概述

电梯门

曳引机

安全部件

选型配置

Options

防护等级

Protection Grade

IP等级 IP Grade	可选 Optional
IP20	✓
IP54	✗

地坎选型
Sill Option

地坎类型 Sill Types	图片 Picture	可选 Optional
铝地坎 Aluminum Sill		✓
不锈钢地坎 Stainless Steel Sill		✗

门板选型
Door Panel Option

门板类型 Door Panel Types	图片 Picture	可选 Optional
碳钢门板 Power-coated Door Panel		✓
不锈钢门板 Stainless Steel Door Panel		✓

层门选型
Landing Door Option

产品名称 Product Name	所在页码 Page No.
05C中分双折层门 05C 4-panel center opening landing door device	● P45

05C 中分层门

Center Opening Landing Door Device

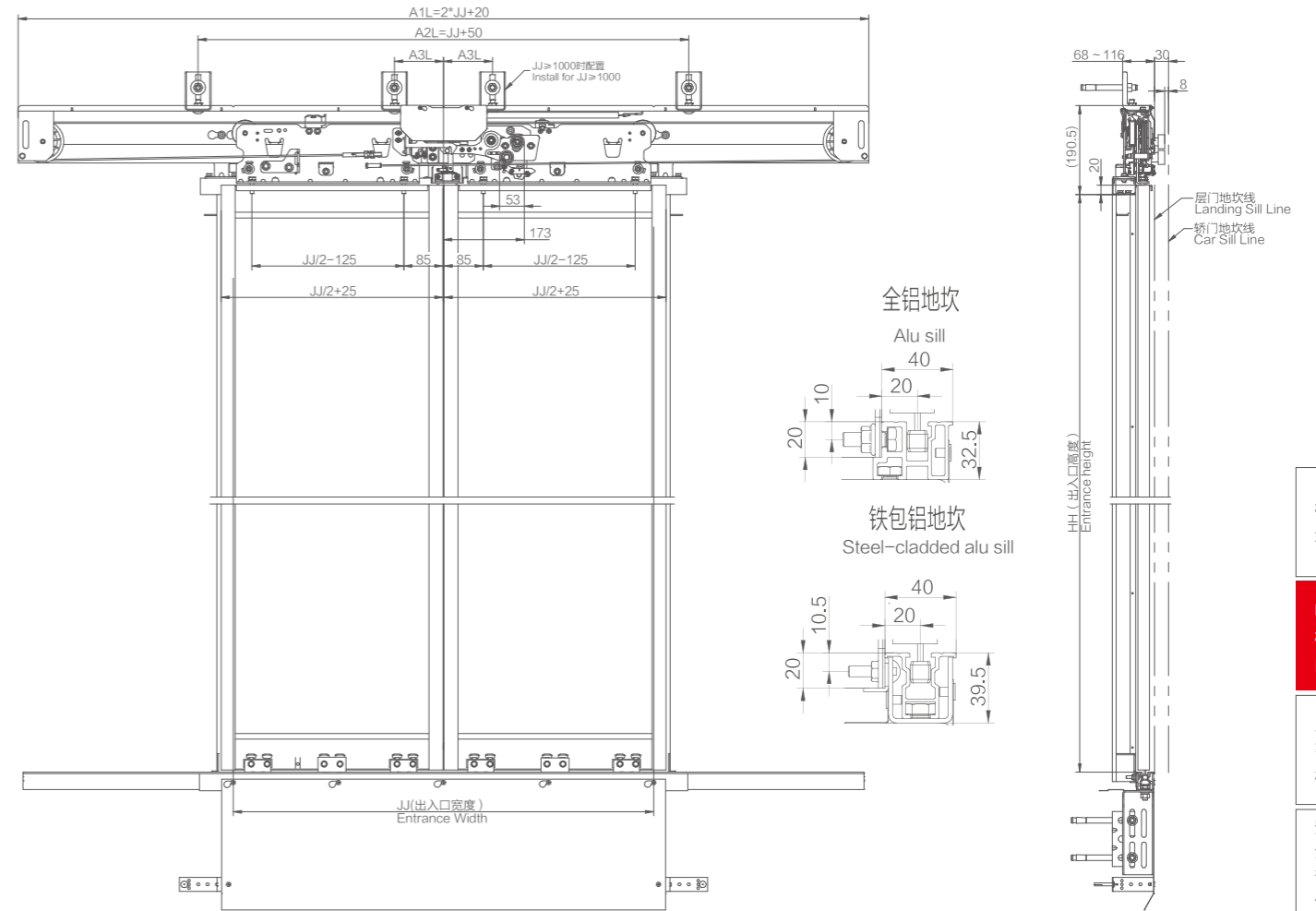


单位: mm

JJ	600	650	700	750	800	850	900	950	1000	1050	1100	1150	1200
A1L	1220	1320	1420	1520	1620	1720	1820	1920	2020	2120	2220	2320	2420
A2L	650	700	750	800	850	900	950	1000	1050	1100	1150	1200	1250
A3L	105	105	105	105	105	105	105	105	293	310	327	343	360

特征描述		Feature Description	
安全可靠	门扇互锁, 安全可靠	Security and Reliability	The door panels can be interlocked, which makes more safe and reliable.
防尘、防水佳	门锁开关倒置, 具有更优的防尘、防水效果	Dustproof & Waterproof	Inverted Interlock switch makes better dustproof and waterproof.
调节便利	门锁球独立调节, 与其他配合部件关联性低, 工地调整方便	Convenient Adjustment	The door lock balls can be adjusted independently with low connection with other spares, which is more easy to adjust at site
自闭方式	弹簧	Self-closing Way	By spring
开锁方式	门板解锁/门楣解锁	Unlocking Way	Door panel /door lintel unlocking
井道利用率高	地坎及层门装置尺寸小, 井道利用率高	High Utilization Rate of Hoistway	The sizes of the sill and landing door device are small so that the utilization rate of the hoistway is high

接口尺寸图 Installation Dimension Drawing



概述

电梯门

曳引机

安全部件

选型配置

Options

防护等级
Protection Grade

IP等级 IP Grade	可选 Optional
IP20	✓
IP54	✗

地坎选型
Sill Option

地坎类型 Sill Types	图片 Picture	可选 Optional
铝地坎 Aluminum Sill		✓
不锈钢地坎 Stainless Steel Sill		✗

门板选型
Door Panel Option

门板类型 Door Panel Types	图片 Picture	可选 Optional
碳钢门板 Power-coated Door Panel		✓
不锈钢门板 Stainless Steel Door Panel		✓
玻璃门板 Glass Door Panel		✓

门机选型
Door Operator Option

产品名称 Product Name	所在页码 Page No.
09C中分永磁同步门机 Center opening PM synchronous door operator	● P35
09E中分永磁同步门机 Center opening PM synchronous door operator	● P17
09S中分永磁同步门机 Center opening PM synchronous door operator	● P23

05C 中分双折层门

4-Panel Center Opening Landing Door Device



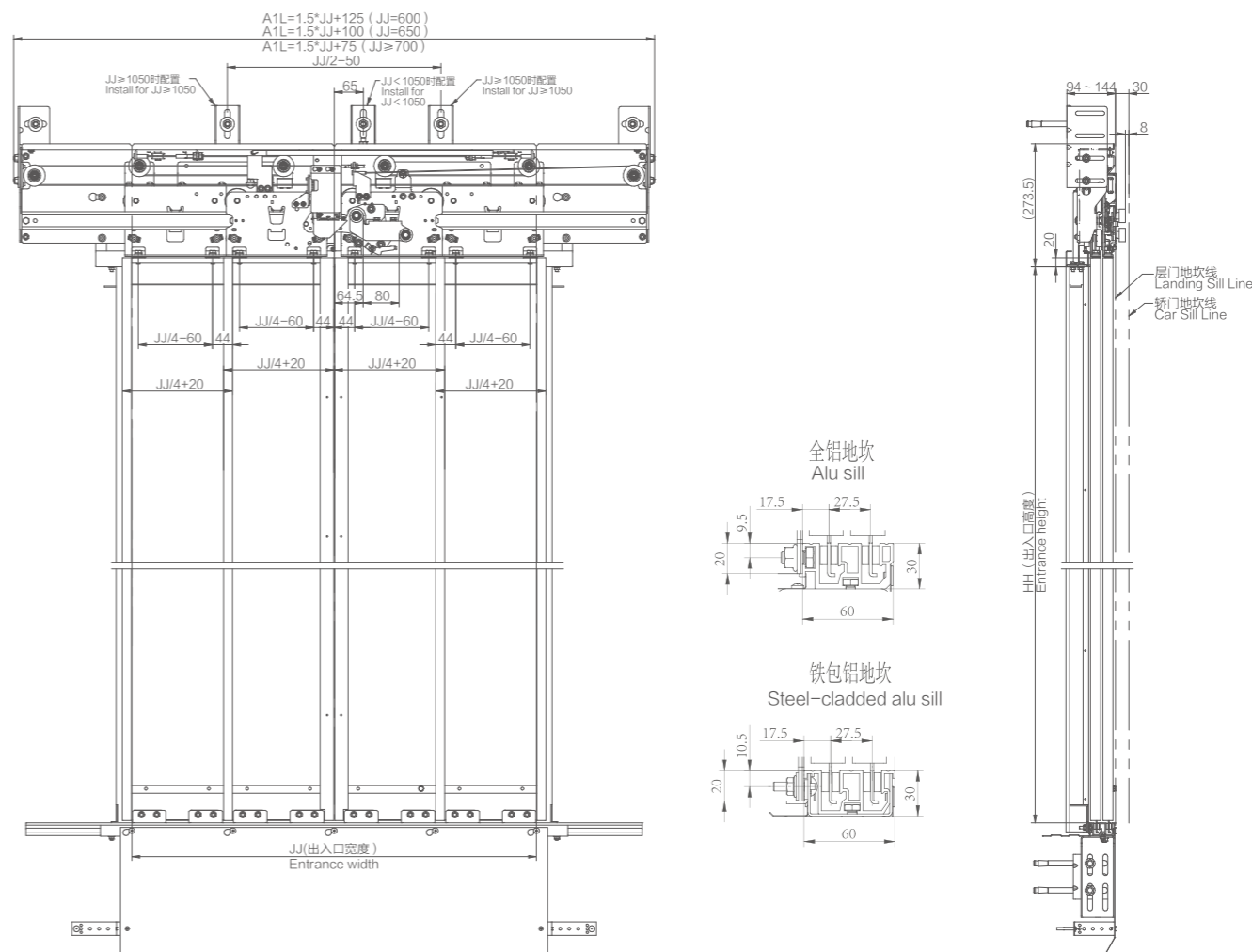
JJ	600	650	700	750	800	850	900	950	1000	1050	1100	1150	1200
A1L	1025	1075	1125	1200	1275	1350	1425	1500	1575	1650	1725	1800	1875

单位: mm

特征描述		Feature Description	
安全可靠	门扇互锁, 安全可靠	Security and Reliability	The door panels can be interlocked, which makes more safe and reliable.
防尘、防水佳	门锁开关倒置, 具有更优的防尘、防水效果	Good Dustproof and Waterproof	Inverted Interlock switch makes better dustproof and waterproof.
调节便利	门锁球独立调节, 与其他配合部件关联性低, 工地调整方便	Convenient Adjustment	The door lock balls can be adjusted independently with low connection with other spares, which is more easy to adjust at site
自闭方式	弹簧	Self-closing Way	By spring
开锁方式	门板解锁/门楣解锁	Unlocking Way	Door panel /door lintel unlocking
井道利用率高	地坎及层门装置尺寸小, 井道利用率高	High Utilization Rate of Hoistway	The sizes of the sill and landing door device are small so that the utilization rate of the hoistway is high

接口尺寸图

Installation Dimension Drawing



概述

电梯门

曳引机

安全部件

选型配置

Options

防护等级

Protection Grade

IP等级 IP Grade	可选 Optional
IP20	✓
IP54	✗

地坎选型

Sill Option

地坎类型 Sill Types	图片 Picture	可选 Optional
铝地坎 Aluminum sill		✓
不锈钢地坎 Stainless steel sill		✗

门板选型

Door Panel Option

门板类型 Door Panel Types	图片 Picture	可选 Optional
碳钢门板 Power-coated Door Panel		✓
不锈钢门板 Stainless Steel Door Panel		✓

门机选型

Door Operator Option

产品名称 Product Name	所在页码 Page No.
09C中分双折永磁同步门机 4-panel center opening PM synchronous door operator	● P39

曳引机系列

Traction Machine Series

更高效 | 更节能 | 更舒适 | 更灵活

More Efficient | More Energy-Efficient | More Comfortable | More Flexible



宁波申菱研发生产的永磁同步无齿轮曳引机产品，具有低速恒力矩、低噪音、低振动、高过载能力等优点，从而确保了电梯运行的绝对平稳；其低温升、高效率、高功率因数的特性，使得其节能效果显著。

产品采用具备上行超速保护功能和UCMP制停子系统的制动器，确保电梯运行更可靠安全；采用密封轴承结构，无需加注润滑油，绿色环保。

产品结构紧凑、外形美观、载重量覆盖齐全，可与多款变频器完美匹配。

产品已经通过TSG、CE、KC等国内外相关测试认证，满足了国内外市场的需求。

The PM machine developed and produced by NBSL has the advantages of constant torque at low speed, low noise, low vibration and high overload capacity, thus ensuring the absolute smooth operation of the elevator; its low temperature rise, high efficiency and high power factor make its energy-saving effect remarkable.

Our machines adopt brackes with upward overspeed protection and UCMP stopping subsystem to ensure more reliable and safe operation; they adopt sealed bearing structures, no need to fill lubricating oil, so it is environment friendly.

The products have compact structure, beautiful appearance, full loading coverage, and can be perfectly matched with a variety of inverters.

Our machines have passed TSG, CE, EAC and other relevant tests and certifications to meet up with the needs of domestic and international markets.

曳引机系列 Traction Machine Series

Model	名称	Description	Page
08 立式曳引机系列			
08A-E (630~1050kg)	块式制动器永磁无齿曳引机	Block Brake PM Gearless Traction Machine	P51
08A (630~1050kg)	块式制动器永磁无齿曳引机	Block Brake PM Gearless Traction Machine	P53
08A (800~1250kg)	块式制动器永磁无齿曳引机	Block Brake PM Gearless Traction Machine	P55
08A (1250~1600kg)	块式制动器永磁无齿曳引机	Block Brake PM Gearless Traction Machine	P57
08 (450~630kg)	块式制动器永磁无齿曳引机	Block Brake PM Gearless Traction Machine	P59
08 (630~1150kg)	块式制动器永磁无齿曳引机	Block Brake PM Gearless Traction Machine	P61
08 (1150~1600kg)	块式制动器永磁无齿曳引机	Block Brake PM Gearless Traction Machine	P63
08AH (1600~2500kg)	块式制动器永磁无齿曳引机	Block Brake PM Gearless Traction Machine	P65
01 卧式曳引机系列			
01-V02 (320~400kg)	轴式制动器永磁无齿曳引机	Axle Brake PM Gearless Traction Machine	P67
01-V05 (630~1050kg)	轴式制动器永磁无齿曳引机	Axle Brake PM Gearless Traction Machine	P69
01A-V05 (630~1050kg)	轴式制动器永磁无齿曳引机	Axle Brake PM Gearless Traction Machine	P71
01-G02 (320~400kg)	轴式制动器永磁无齿钢带曳引机	Axle Brake PM Gearless Traction Machine	P73
11 高速曳引机系列			
11 (1600kg)	碟式制动器永磁无齿曳引机	Disc Brake PM Gearless Traction Machine	P75

08立式曳引机系列

曳引比 Traction ratio 2:1	额定速度 Rated speed (m/s)						
额定载重 Rated Load (kg)	1.0	1.5	1.6	1.75	2.0	2.5	3.0
450	08、08AM						
630	08、08AM、08A、08A-E						
800	08、08A、08A-E				08、08A		
1000/1050	08、08A、08A-E				08、08A		
1150					08、08A		
1250					08、08A		
1350					08、08A		08AH
1600					08、08A		08AH
2000					08AH		
2500					08AH		
3000	08AH						

01卧式曳引机系列

曳引比 Traction ratio 2:1	额定速度 Rated speed (m/s)							
额定载重 Rated Load (kg)	0.4			1.0	1.5	1.6	1.75	2.0
400	01-V01、01-V02、01-G02							
450							01-V03、01-V03A	
630							01-V05、01-V05A	
800							01-V05、01-V05A	
1000/1050							01-V05、01-V05A	
1150							01-V05A	
1250							01-V05A	
1350							01-V05A	
1600							01-V05A	

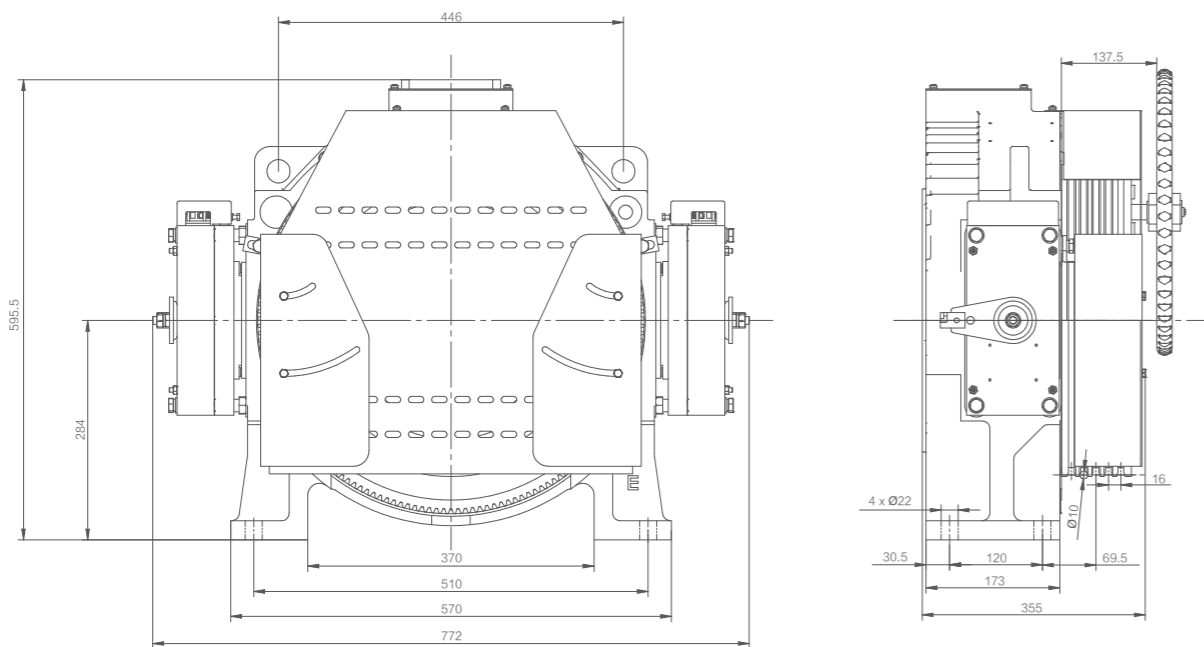
11 高速曳引机系列

曳引比 Traction ratio 2:1	额定速度 Rated speed (m/s)	
额定载重 Rated Load (kg)	3.0	4.0
1600	11	

08A-E (630~1050kg) 块式制动器永磁无齿曳引机 Block Brake PM Gearless Traction Machine



安装尺寸图 Installation Dimension Drawing



产品特点 Product Features

额定电压 (Voltage)	380V	曳引比 (Traction ratio)	2:1
额定载重 (Rated load)	630-1050kg	额定速度 (Rated speed)	1.0-2.0m/s
防护等级 (Protection Grade)	IP41	工作制 (Rating)	S5-40%
绝缘等级 (Insulation Class)	F	钢丝绳绕法 (Wrap)	单绕Single
制动器型号 (Model)	ZLZ-08	制动器电压电流 (Brake)	DC110V 2 × 1.1A

标准配置规格表 Standard Configuration Specification Table

型号/规格 Type	曳引比 Traction ratio	额定载重 (kg) Rated load	额定速度 (m/s) Rated speed	额定转速 (r/min) Rated speed	额定转矩 (N·m) Rated torque	最大提升 高度 (m) Lifting height	轴负荷 (kg) Shaft load	电机 Motor			曳引轮(带切口U形槽) Sheave (with U groove profiles)				自重 (kg) Weight	
								极数 Poles	额定电流 (A) Rated current	额定功率 (kW) Rated power	额定频率 (Hz) Rated frequency	节径 (mm) Diameter	绳槽 nxd Rope groove	β		γ
08A-630-100-E	2:1	630	1.0	95.5	410	50	3000	30	11	4.1	23.9	400	4 × Ø10 × 16	95	30	280
08A-630-150-E	2:1	630	1.5	143	410	80	3000	30	17	6.1	35.8	400	4 × Ø10 × 16	95	30	280
08A-630-160-E	2:1	630	1.6	153	410	80	3000	30	17	6.6	38.2	400	4 × Ø10 × 16	95	30	280
08A-630-175-E	2:1	630	1.75	167	410	80	3000	30	17	7.2	41.8	400	4 × Ø10 × 16	95	30	280
08A-800-100-E	2:1	800	1.0	95.5	500	50	3000	30	12.5	5	23.9	400	5 × Ø10 × 16	95	30	285
08A-800-150-E	2:1	800	1.5	143	510	80	3000	30	21	7.7	35.8	400	5 × Ø10 × 16	95	30	285
08A-800-160-E	2:1	800	1.6	153	510	80	3000	30	21	8.2	38.2	400	5 × Ø10 × 16	95	30	285
08A-800-175-E	2:1	800	1.75	167	510	80	3000	30	21	8.9	41.8	400	5 × Ø10 × 16	95	30	285
08A-800-200-E	2:1	800	2.0	191	510	80	3000	30	23	10.2	47.8	400	5 × Ø10 × 16	95	30	285
08A-1000-100-E	2:1	1000	1.0	95.5	610	50	3000	30	14.5	6.1	23.9	400	5 × Ø10 × 16	95	30	290
08A-1000-150-E	2:1	1000	1.5	143	640	80	3000	30	27	9.6	35.8	400	5 × Ø10 × 16	95	30	290
08A-1000-160-E	2:1	1000	1.6	153	640	80	3000	30	27	10.3	38.2	400	5 × Ø10 × 16	95	30	290
08A-1000-175-E	2:1	1000	1.75	167	640	80	3000	30	27	11.2	41.8	400	5 × Ø10 × 16	95	30	290
08A-1000-200-E	2:1	1000	2.0	191	640	80	3000	30	29	12.8	47.8	400	5 × Ø10 × 16	95	30	290
08A-1050-100-E	2:1	1050	1.0	95.5	630	50	3000	30	15.5	6.3	23.9	400	5 × Ø10 × 16	95	30	295
08A-1050-150-E	2:1	1050	1.5	143	650	80	3000	30	28.5	9.8	35.8	400	5 × Ø10 × 16	95	30	295
08A-1050-160-E	2:1	1050	1.6	153	650	80	3000	30	28.5	10.4	38.2	400	5 × Ø10 × 16	95	30	295
08A-1050-175-E	2:1	1050	1.75	167	650	80	3000	30	28.5	11.4	41.8	400	5 × Ø10 × 16	95	30	295
08A-1050-200-E	2:1	1050	2.0	191	650	80	3000	30	29.5	13	47.8	400	5 × Ø10 × 16	95	30	295

概述

电梯门

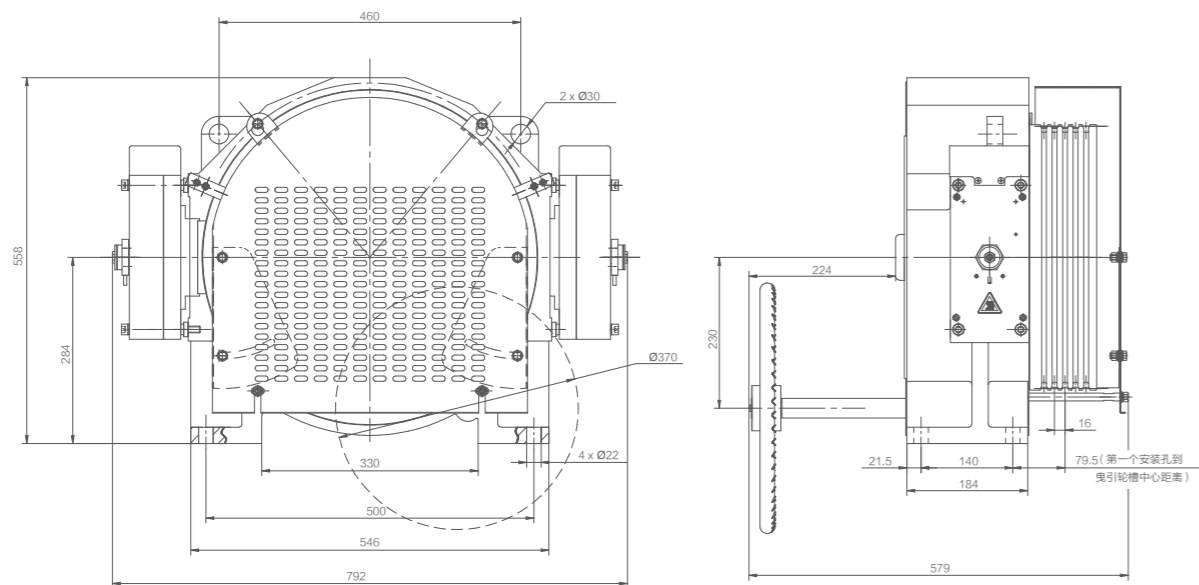
曳引机

安全部件

08A (630~1050kg) 块式制动器永磁无齿曳引机 Block Brake PM Gearless Traction Machine



安装尺寸图 Installation Dimension Drawing



产品特点 Product Features

额定电压 (Voltage)	380V	曳引比 (Traction ratio)	2:1
额定载重 (Rated load)	630-1050kg	额定速度 (Rated speed)	0.5-2.0m/s
防护等级 (Protection Grade)	IP41	工作制 (Rating)	S5-40%
绝缘等级 (Insulation Class)	F	钢丝绳绕法 (Wrap)	单绕Single
制动器型号 (Model)	ZLZ-08	制动器电压电流 (Brake)	DC110V 2 × 1.1A

标准配置规格表 Standard Configuration Specification Table

型号/规格 Type	曳引比 Traction ratio	额定载重 (kg) Rated load	额定速度 (m/s) Rated speed	额定转速 (r/min) Rated speed	额定转矩 (N·m) Rated torque	最大提升 高度 (m) Lifting height	轴负荷 (kg) Shaft load	电机 Motor			曳引轮(带切口U形槽) Sheave (with U groove profiles)				自重 (kg) Weight	
								极数 Poles	额定电流 (A) Rated current	额定功率 (kW) Rated power	额定频率 (Hz) Rated frequency	节径 (mm) Diameter	绳槽 nxd Rope groove	β		γ
08A.1/1.0	2:1	630	1.0	95.5	430	50	3000	32	10	4.3	25.5	400	4×Ø10×16	95	30	300
08A.1/1.5	2:1	630	1.5	143	430	100	3000	32	16	6.4	38.1	400	4×Ø10×16	95	30	300
08A.1/1.6	2:1	630	1.6	153	430	100	3000	32	16	6.9	40.8	400	4×Ø10×16	95	30	300
08A.1/1.75	2:1	630	1.75	167	430	100	3000	32	16	7.5	44.5	400	4×Ø10×16	95	30	300
08A.2/1.0	2:1	800	1.0	95.5	550	50	3000	32	11.5	5.5	25.5	400	5×Ø10×16	95	30	310
08A.2/1.5	2:1	800	1.5	143	550	100	3000	32	21	8.2	38.1	400	5×Ø10×16	95	30	310
08A.2/1.6	2:1	800	1.6	153	550	100	3000	32	21	8.8	40.8	400	5×Ø10×16	95	30	310
08A.2/1.75	2:1	800	1.75	167	550	100	3000	32	21	9.6	44.5	400	5×Ø10×16	95	30	310
08A.2/2.0	2:1	800	2.0	191	550	100	3000	32	24	11	51.1	400	5×Ø10×16	95	30	310
08A.3/1.0	2:1	1000/1050	1.0	95.5	670	50	3000	32	14	6.7	25.5	400	5×Ø10×16	95	30	320
08A.3/1.5	2:1	1000/1050	1.5	143	670	100	3000	32	26	10.1	38.1	400	5×Ø10×16	95	30	320
08A.3/1.6	2:1	1000/1050	1.6	153	670	100	3000	32	26	10.7	40.8	400	5×Ø10×16	95	30	320
08A.3/1.75	2:1	1000/1050	1.75	167	670	100	3000	32	26	11.7	44.5	400	5×Ø10×16	95	30	320
08A.3/2.0	2:1	1000/1050	2.0	191	670	100	3000	32	28	13.4	51.1	400	5×Ø10×16	95	30	320

概述

电梯门

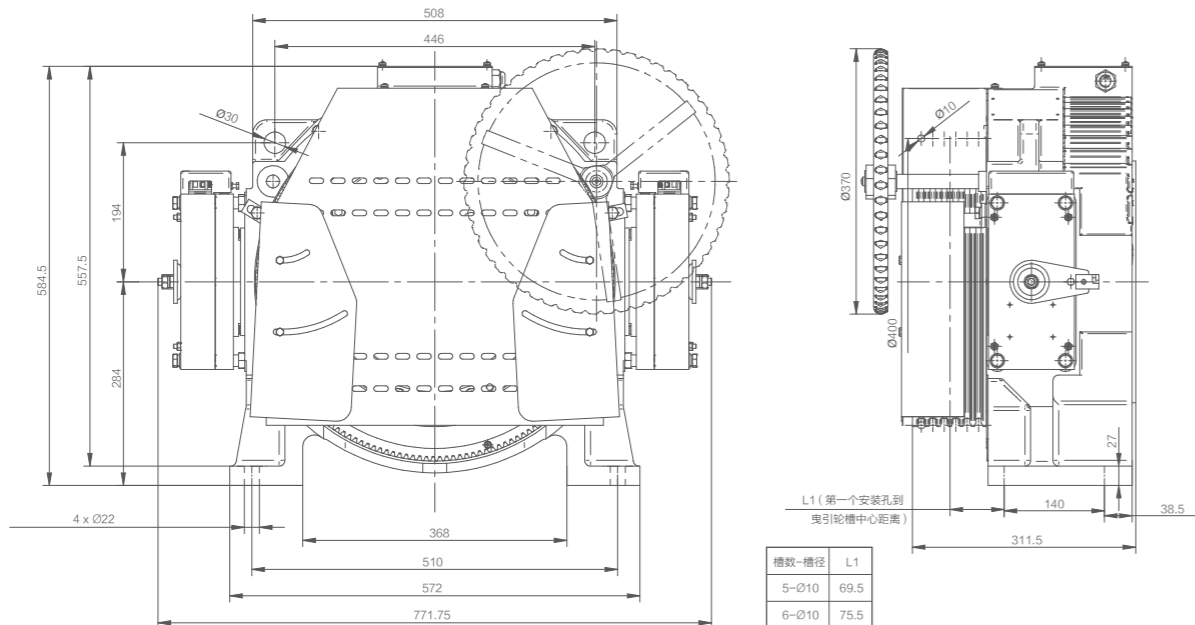
曳引机

安全部件

08A (800~1250kg) 块式制动器永磁无齿曳引机 Block Brake PM Gearless Traction Machine



安装尺寸图 Installation Dimension Drawing



产品特点 Product Features

额定电压 (Voltage)	380V	曳引比 (Traction ratio)	2:1
额定载重 (Rated load)	800~1250kg	额定速度 (Rated speed)	1.0~2.5m/s
防护等级 (Protection Grade)	IP41	工作制 (Rating)	S5~40%
绝缘等级 (Insulation Class)	F	钢丝绳绕法 (Wrap)	单绕Single
制动器型号 (Model)	ZLZ-08A	制动器电压电流 (Brake)	DC110V 2 × 1.1A

标准配置规格表 Standard Configuration Specification Table

型号/规格 Type	曳引比 Traction ratio	额定载重 (kg) Rated load	额定速度 (m/s) Rated speed	额定转速 (r/min) Rated speed	额定转矩 (N·m) Rated torque	最大提升 高度 (m) Lifting height	轴负荷 (kg) Shaft load	电机 Motor			曳引轮(带切口U形槽) Sheave (with U groove profiles)				自重 (kg) Weight	
								极数 Poles	额定电流 (A) Rated current	额定功率 (kW) Rated power	额定频率 (Hz) Rated frequency	节径 (mm) Diameter	绳槽 nxd Rope groove	β		γ
08A-1000/1050-200	2:1	1000/1050	2.0	191	665	100	3500	30	29.5	13.3	47.7	400	6×Ø10×16	95	30	320
08A-800-200 (S450)	2:1	800	2.0	170	585	100	3500	30	23.6	10.4	42.4	450	5×Ø10×16	95	30	320
08A-800-250 (S450)	2:1	800	2.5	212	585	120	3500	30	29.1	13.0	53.1	450	5×Ø10×16	95	30	320
08A-1000/1050-100 (S450)	2:1	1000/1050	1.0	85	768	50	3500	30	15.5	6.8	21.2	450	5×Ø10×16	95	30	320
08A-1000/1050-150 (S450)	2:1	1000/1050	1.5	127	768	90	3500	30	26.3	10.2	31.8	450	5×Ø10×16	95	30	320
08A-1000/1050-160 (S450)	2:1	1000/1050	1.6	136	768	90	3500	30	26.3	10.9	34.0	450	5×Ø10×16	95	30	320
08A-1000/1050-175 (S450)	2:1	1000/1050	1.75	149	768	90	3500	30	26.3	11.9	37.1	450	5×Ø10×16	95	30	320
08A-1000/1050-200 (S450)	2:1	1000/1050	2.0	170	768	100	3500	30	29.5	13.7	42.4	450	6×Ø10×16	95	30	320
08A-1000/1050-250 (S450)	2:1	1000/1050	2.5	212	768	120	3500	30	35.5	17.1	53.1	450	6×Ø10×16	95	30	320
08A-1150-100	2:1	1150	1.0	95.5	748	50	3500	30	17	7.5	23.9	400	5×Ø10×16	95	30	320
08A-1150-100 (S450)	2:1	1150	1.0	85	820	50	3500	30	18	7.3	21.2	450	5×Ø10×16	95	30	340
08A-1150-150	2:1	1150	1.5	143	748	90	3500	30	29	11.2	35.8	400	6×Ø10×16	95	30	320
08A-1150-150 (S450)	2:1	1150	1.5	127	820	90	3500	30	30	10.9	31.8	450	6×Ø10×16	95	30	340
08A-1150-160	2:1	1150	1.6	153	748	90	3500	30	29	12.0	38.2	400	6×Ø10×16	95	30	320
08A-1150-160 (S450)	2:1	1150	1.6	136	820	90	3500	30	30	11.7	34.0	450	6×Ø10×16	95	30	340
08A-1150-175	2:1	1150	1.75	167	748	90	3500	30	29	13.1	41.8	400	6×Ø10×16	95	30	320
08A-1150-175 (S450)	2:1	1150	1.75	149	820	90	3500	30	30	12.8	37.1	450	6×Ø10×16	95	30	340
08A-1150-200	2:1	1150	2.0	191	748	100	3500	30	33	15.0	47.7	400	6×Ø10×16	95	30	320
08A-1150-200 (S450)	2:1	1150	2.0	170	820	100	3500	30	33.8	14.6	42.4	450	6×Ø10×16	95	30	340
08A-1150-250 (S450)	2:1	1150	2.5	212	820	120	3500	30	41.2	18.2	53.1	450	6×Ø10×16	95	30	340
08A-1250-100	2:1	1250	1.0	95.5	813	50	3500	30	20	8.1	23.9	400	6×Ø10×16	95	30	340
08A-1250-150	2:1	1250	1.5	143	813	90	3500	30	33	12.2	35.8	400	6×Ø10×16	95	30	340
08A-1250-160	2:1	1250	1.6	153	813	90	3500	30	33	13.0	38.2	400	6×Ø10×16	95	30	340
08A-1250-175	2:1	1250	1.75	167	813	90	3500	30	33	14.2	41.8	400	6×Ø10×16	95	30	340
08A-1250-200	2:1	1250	2.0	191	813	100	3500	30	38	16.3	47.7	400	6×Ø10×16	95	30	340

概述

电梯门

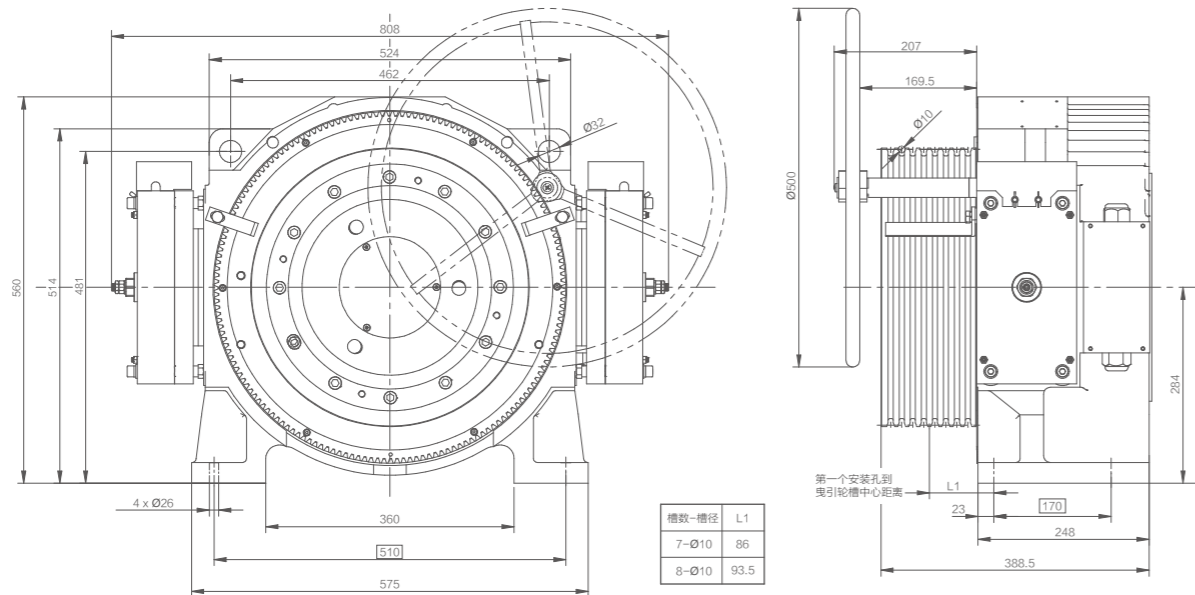
曳引机

安全部件

08A (1250~1600kg) 块式制动器永磁无齿曳引机 Block Brake PM Gearless Traction Machine



安装尺寸图 Installation Dimension Drawing



产品特点 Product Features

额定电压 (Voltage)	380V	曳引比 (Traction ratio)	2:1/4:1
额定载重 (Rated load)	1250-1600kg	额定速度 (Rated speed)	1.0-2.5m/s
防护等级 (Protection Grade)	IP41	工作制 (Rating)	S5-40%
绝缘等级 (Insulation Class)	F	钢丝绳绕法 (Wrap)	单绕Single
制动器型号 (Model)	ZLZ-08A	制动器电压电流 (Brake)	DC110V 2 × 1.75A

标准配置规格表 Standard Configuration Specification Table

型号/规格 Type	曳引比 Traction ratio	额定载重 (kg) Rated load	额定速度 (m/s) Rated speed	额定转速 (r/min) Rated speed	额定转矩 (N·m) Rated torque	最大提升 高度 (m) Lifting height	轴负荷 (kg) Shaft load	电机 Motor				曳引轮(带切口U形槽) Sheave (with U groove profiles)				自重 (kg) Weight
								极数 Poles	额定电流 (A) Rated current	额定功率 (kW) Rated power	额定频率 (Hz) Rated frequency	节径 (mm) Diameter	绳槽 nxd Rope groove	β	γ	
08A-1250-2.0(S450)	2:1	1250	2.0	170	915	100	4600	30	38	16.3	42.5	450	7×Ø10×16	95	30	435
08A-1250-2.5(S450)	2:1	1250	2.5	212	915	120	4600	30	45	20.3	53.0	450	7×Ø10×16	95	30	435
08A-1350-1.0	2:1	1350	1.0	95.5	878	50	4600	30	22	8.8	23.9	400	7×Ø10×16	95	30	410
08A-1350-1.5	2:1	1350	1.5	143	878	90	4600	30	34	13.1	35.8	400	7×Ø10×16	95	30	410
08A-1350-1.6	2:1	1350	1.6	153	878	90	4600	30	34	14.1	38.3	400	7×Ø10×16	95	30	410
08A-1350-1.75	2:1	1350	1.75	167	878	90	4600	30	34	15.4	41.8	400	7×Ø10×16	95	30	410
08A-1350-2.0	2:1	1350	2.0	191	878	100	4600	30	40	17.6	47.8	400	7×Ø10×16	95	30	410
08A-1350-2.0(S450)	2:1	1350	2.0	170	988	100	4600	30	40.5	17.6	42.5	450	7×Ø10×16	95	30	435
08A-1350-2.5(S450)	2:1	1350	2.5	212	988	120	4600	30	47.5	21.9	53.0	450	7×Ø10×16	95	30	435
08A-1600-1.0	2:1	1600	1.0	95.5	1040	50	4600	30	24.3	10.4	23.9	400	7×Ø10×16	95	30	410
08A-1600-1.5	2:1	1600	1.5	143	1040	90	4600	30	41	15.6	35.8	400	8×Ø10×16	95	30	435
08A-1600-1.6	2:1	1600	1.6	153	1040	90	4600	30	41	16.7	38.3	400	8×Ø10×16	95	30	435
08A-1600-1.75	2:1	1600	1.75	167	1040	90	4600	30	41	18.2	41.8	400	8×Ø10×16	95	30	435
08A-1600-2.0	2:1	1600	2.0	191	1040	100	4600	30	45.5	20.8	47.8	400	8×Ø10×16	95	30	450
08A-1600-2.0(S450)	2:1	1600	2.0	170	1170	100	4600	30	45.5	20.8	42.5	450	8×Ø10×16	95	30	450
08A-1600-2.5(S450)	2:1	1600	2.5	212	1170	120	4600	30	55.7	26.3	53.0	450	8×Ø10×16	95	30	450
08A-3000-0.5	4:1	3000	0.5	95.5	975	25	4600	30	23	9.8	23.9	400	7×Ø10×16	95	30	410
08A-3000-0.5(S450)	4:1	3000	0.5	85	1097	25	4600	30	23	9.8	21.3	450	7×Ø10×16	95	30	435
08A-3000-1.0	4:1	3000	1.0	191	975	60	4600	30	42.5	19.5	47.8	400	8×Ø10×16	95	30	435
08A-3000-1.0(S450)	4:1	3000	1.0	170	1097	60	4600	30	42.5	19.5	42.5	450	7×Ø10×16	95	30	435

概述

电梯门

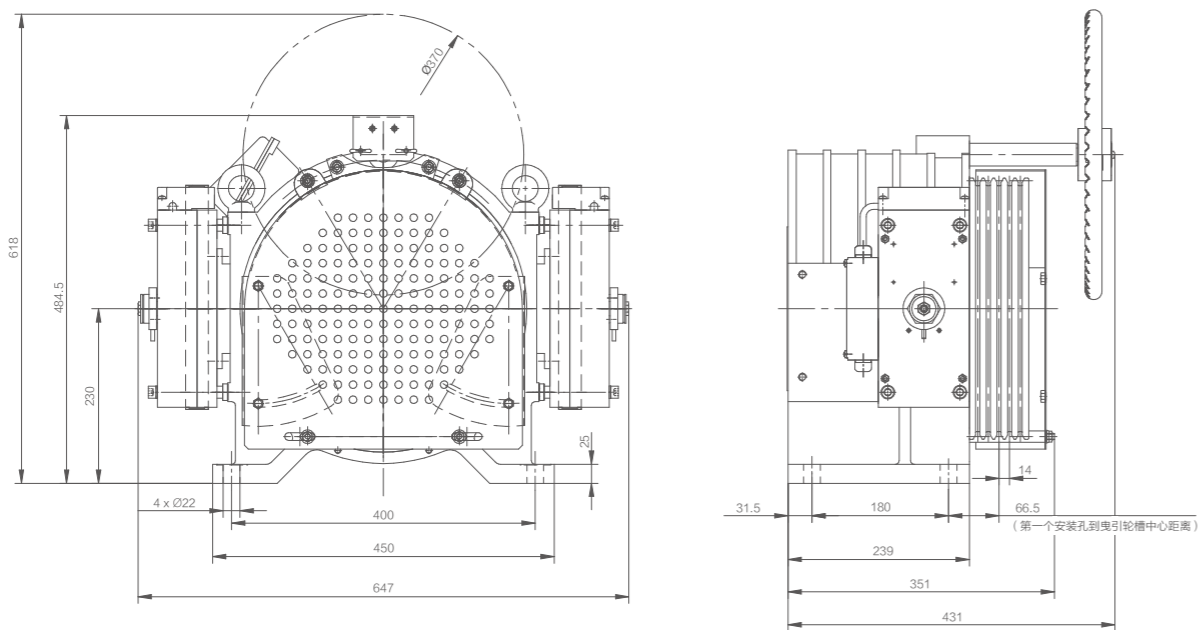
曳引机

安全部件

08 (450~630kg) 块式制动器永磁无齿曳引机
Block Brake PM Gearless Traction Machine



安装尺寸图
Installation Dimension Drawing



产品特点
Product Features

额定电压 (Voltage)	380V	曳引比 (Traction ratio)	2:1
额定载重 (Rated load)	450~630kg	额定速度 (Rated speed)	1.0~1.75m/s
防护等级 (Protection Grade)	IP41	工作制 (Rating)	S5-40%
绝缘等级 (Insulation Class)	F	钢丝绳绕法 (Wrap)	单绕Single
制动器型号 (Model)	ZLZ-08	制动器电压电流 (Brake)	DC110V 2 × 1.1A

标准配置规格表
Standard Configuration Specification Table

型号/规格 Type	曳引比 Traction ratio	额定载重 (kg) Rated load	额定速度 (m/s) Rated speed	额定转速 (r/min) Rated speed	额定转矩 (N·m) Rated torque	最大提升 高度 (m) Lifting height	轴负荷 (kg) Shaft load	电机 Motor				曳引轮(带切口U形槽) Sheave (with U groove profiles)				自重 (kg) Weight
								极数 Poles	额定电流 (A) Rated current	额定功率 (kW) Rated power	额定频率 (Hz) Rated frequency	节径 (mm) Diameter	绳槽 nxd Rope groove	β	γ	
08.1/1.0	2:1	450	1.0	112.3	250	50	2200	20	8	3	18.7	340	5 × Ø8 × 14	90	35	270
08.1/1.0	2:1	630	1.0	112.3	342	50	2200	20	11	4	18.7	340	5 × Ø8 × 14	90	35	270
08.1/1.5	2:1	630	1.5	168.5	342	100	2200	20	17	6	28.1	340	5 × Ø8 × 14	90	35	270
08.1/1.6	2:1	630	1.6	179.8	342	100	2200	20	19	6.4	30	340	5 × Ø8 × 14	90	35	270
08.1/1.75	2:1	630	1.75	196.6	342	100	2200	20	19	7	32.8	340	5 × Ø8 × 14	90	35	270

概述

电梯门

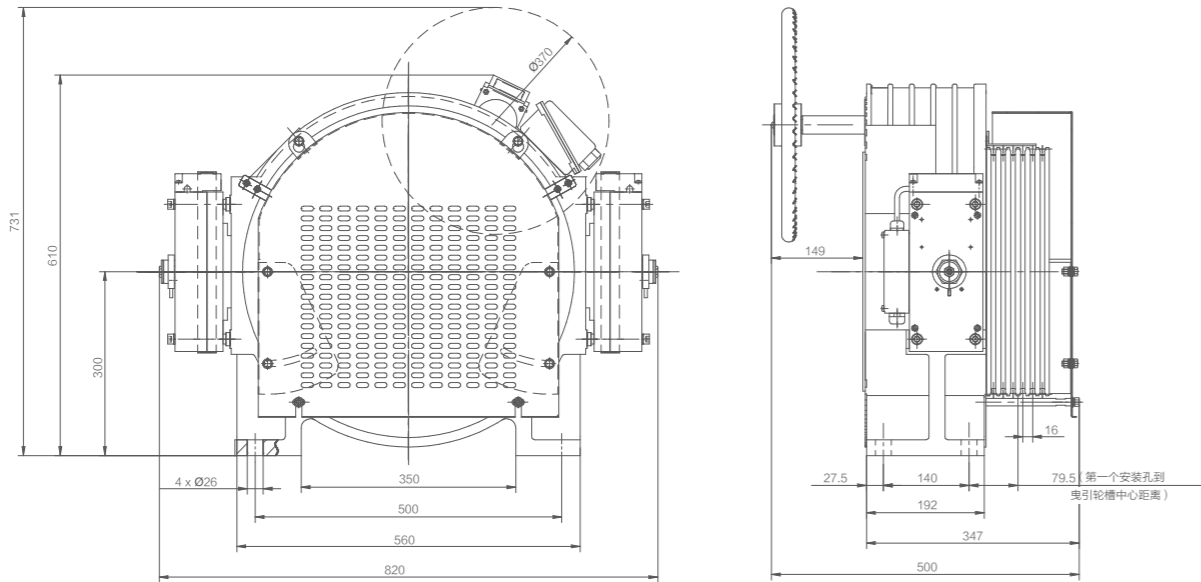
曳引机

安全部件

08 (630~1150kg) 块式制动器永磁无齿曳引机
Block Brake PM Gearless Traction Machine



安装尺寸图
Installation Dimension Drawing



产品特点
Product Features

额定电压 (Voltage)	380V	曳引比 (Traction ratio)	2:1
额定载重 (Rated load)	630~1150kg	额定速度 (Rated speed)	1.0~2.5m/s
防护等级 (Protection Grade)	IP41	工作制 (Rating)	S5~40%
绝缘等级 (Insulation Class)	F	钢丝绳绕法 (Wrap)	单绕Single
制动器型号 (Model)	ZLZ-08	制动器电压电流 (Brake)	DC110V 2 × 1.1A

标准配置规格表
Standard Configuration Specification Table

型号/规格 Type	曳引比 Traction ratio	额定载重 (kg) Rated load	额定速度 (m/s) Rated speed	额定转速 (r/min) Rated speed	额定转矩 (N·m) Rated torque	最大提升 高度 (m) Lifting height	轴负荷 (kg) Shaft load	电机 Motor				曳引轮(带切口U形槽) Sheave (with U groove profiles)				自重 (kg) Weight
								极数 Poles	额定电流 (A) Rated current	额定功率 (kW) Rated power	额定频率 (Hz) Rated frequency	节径 (mm) Diameter	绳槽 nxd Rope groove	β	γ	
08.2/1.0	2:1	630	1.0	95.5	460	50	3500	24	11	4.6	19.1	400	5×Ø10×16	95	30	340
08.2/1.5	2:1	630	1.5	143	460	100	3500	24	16.1	6.5	28.6	400	5×Ø10×16	95	30	340
08.2/1.6	2:1	630	1.6	153	460	100	3500	24	16.1	7	30.6	400	5×Ø10×16	95	30	340
08.2/1.75	2:1	630	1.75	167	460	100	3500	24	16.1	7.6	33.4	400	5×Ø10×16	95	30	340
08.2/2.0	2:1	630	2.0	191	460	120	3500	24	18.1	8.7	38.2	400	5×Ø10×16	95	30	340
08.2/1.0	2:1	800	1.0	95.5	550	50	3500	24	12.7	5.5	19.1	400	5×Ø10×16	95	30	340
08.2/1.5	2:1	800	1.5	143	550	100	3500	24	20.5	8.2	28.6	400	5×Ø10×16	95	30	340
08.2/1.6	2:1	800	1.6	153	550	100	3500	24	20.5	8.8	30.6	400	5×Ø10×16	95	30	340
08.2/1.75	2:1	800	1.75	167	550	100	3500	24	20.5	9.6	33.4	400	5×Ø10×16	95	30	340
08.2/2.0	2:1	800	2.0	191	550	120	3500	24	23	11	38.2	400	5×Ø10×16	95	30	340
08.3/1.0	2:1	1000	1.0	95.5	670	50	3500	24	14.2	6.7	19.1	400	5×Ø10×16	95	30	340
08.3/1.5	2:1	1000/1050	1.5	143	670	100	3500	24	25	10.1	28.6	400	5×Ø10×16	95	30	340
08.3/1.6	2:1	1000/1050	1.6	153	670	100	3500	24	25	10.7	30.6	400	5×Ø10×16	95	30	340
08.3/1.75	2:1	1000/1050	1.75	167	670	100	3500	24	25	11.7	33.4	400	5×Ø10×16	95	30	340
08.3/2.0	2:1	1000/1050	2.0	191	670	120	3500	24	27.5	13.4	38.2	400	6×Ø10×16	95	30	340
08.3/2.5	2:1	1000/1050	2.5	239	670	130	3500	24	34	16.8	47.8	400	6×Ø10×16	95	30	340
08.6/1.0	2:1	1150	1.0	95.5	700	50	3500	24	16	7	19.1	400	6×Ø10×16	95	30	340
08.6/1.5	2:1	1150	1.5	143	700	100	3500	24	27	10.5	28.6	400	6×Ø10×16	95	30	340
08.6/1.6	2:1	1150	1.6	153	700	100	3500	24	27	11.2	30.6	400	6×Ø10×16	95	30	340
08.6/1.75	2:1	1150	1.75	167	700	100	3500	24	27	12.3	33.4	400	6×Ø10×16	95	30	340
08.6/2.0	2:1	1150	2.0	191	700	120	3500	24	30	14	38.2	400	6×Ø10×16	95	30	340
08.6/2.5	2:1	1150	2.5	239	700	130	3500	24	38	17.5	47.8	400	6×Ø10×16	95	30	340

概述

电梯门

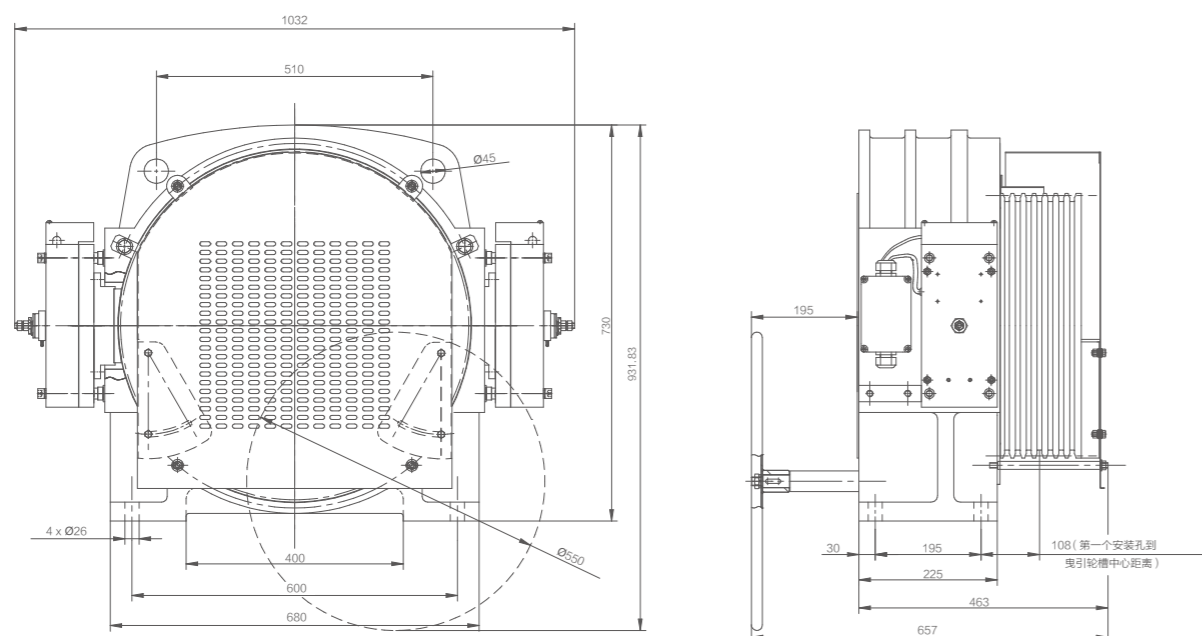
曳引机

安全部件

08 (1150~1600kg) 块式制动器永磁无齿曳引机 Block Brake PM Gearless Traction Machine



安装尺寸图 Installation Dimension Drawing



产品特点 Product Features

额定电压 (Voltage)	380V	曳引比 (Traction ratio)	2:1
额定载重 (Rated load)	1150-1600kg	额定速度 (Rated speed)	1.0-2.5m/s
防护等级 (Protection Grade)	IP41	工作制 (Rating)	S5-40%
绝缘等级 (Insulation Class)	F	钢丝绳绕法 (Wrap)	单绕Single
制动器型号 (Model)	ZLZ-08	制动器电压电流 (Brake)	DC110V 2 × 1.46

标准配置规格表 Standard Configuration Specification Table

型号/规格 Type	曳引比 Traction ratio	额定载重 (kg) Rated load	额定速度 (m/s) Rated speed	额定转速 (r/min) Rated speed	额定转矩 (N·m) Rated torque	最大提升 高度 (m) Lifting height	轴负荷 (kg) Shaft load	电机 Motor				曳引轮(带切口U形槽) Sheave (with U groove profiles)				自重 (kg) Weight
								极数 Poles	额定电流 (A) Rated current	额定功率 (kW) Rated power	额定频率 (Hz) Rated frequency	节径 (mm) Diameter	绳槽 nxd Rope groove	β	γ	
08.6/1.0	2:1	1150	1.0	79.6	900	50	5500	38	17	7.5	25.2	480	6×Ø10×18	95	30	700
08.6/1.5	2:1	1150	1.5	119.4	900	100	5500	38	29.5	11.3	37.8	480	6×Ø10×18	95	30	700
08.6/1.6	2:1	1150	1.6	127.4	900	100	5500	38	29.5	12	40.3	480	6×Ø10×18	95	30	700
08.6/1.75	2:1	1150	1.75	139.3	900	100	5500	38	29.5	13.1	44.1	480	6×Ø10×18	95	30	700
08.6/2.0	2:1	1150	2.0	159.2	900	120	5500	38	40	15.1	50.4	480	6×Ø10×18	95	30	700
08.6/2.5	2:1	1150	2.5	199	900	130	5500	38	40	18.7	63	480	6×Ø10×18	95	30	700
08.4/1.0	2:1	1350	1.0	79.6	1050	50	5500	38	17.5	8.8	25.2	480	7×Ø10×18	95	30	700
08.4/1.5	2:1	1350	1.5	119.4	1050	100	5500	38	30.5	13.1	37.8	480	7×Ø10×18	95	30	700
08.4/1.6	2:1	1350	1.6	127.4	1050	100	5500	38	30.5	14	40.3	480	7×Ø10×18	95	30	700
08.4/1.75	2:1	1350	1.75	139.3	1050	100	5500	38	30.5	15.3	44.1	480	7×Ø10×18	95	30	700
08.4/2.0	2:1	1350	2.0	159.2	1050	120	5500	38	43	17.5	50.4	480	7×Ø10×18	95	30	700
08.4/2.5	2:1	1350	2.5	199	1050	130	5500	38	43	22	63	480	7×Ø10×18	95	30	700
08.5/1.0	2:1	1600	1.0	79.6	1250	50	5500	38	21	10.4	25.2	480	8×Ø10×16	95	30	700
08.5/1.5	2:1	1600	1.5	119.4	1250	100	5500	38	36	15.6	37.8	480	8×Ø10×16	95	30	700
08.5/1.6	2:1	1600	1.6	127.4	1250	100	5500	38	36	16.7	40.3	480	8×Ø10×16	95	30	700
08.5/1.75	2:1	1600	1.75	139.3	1250	100	5500	38	36	18.2	44.1	480	8×Ø10×16	95	30	700
08.5/2.0	2:1	1600	2.0	159.2	1250	120	5500	38	53	20.8	50.4	480	8×Ø10×16	95	30	700
08.5/2.5	2:1	1600	2.5	199	1250	130	5500	38	53	26	63	480	8×Ø10×16	95	30	700

概述

电梯门

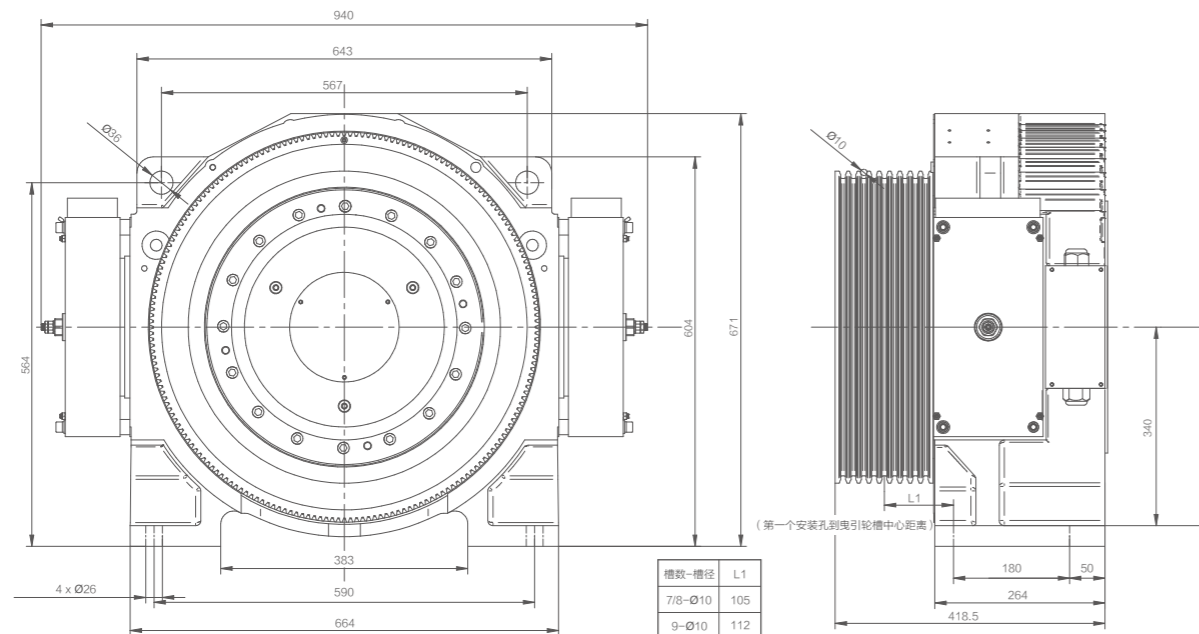
曳引机

安全部件

08AH (1600~2500kg) 块式制动器永磁无齿曳引机 Block Brake PM Gearless Traction Machine



安装尺寸图 Installation Dimension Drawing



产品特点 Product Features

额定电压 (Voltage)	380V	曳引比 (Traction ratio)	2:1
额定载重 (Rated load)	1600-2500kg	额定速度 (Rated speed)	1.0-3.0m/s
防护等级 (Protection Grade)	IP41	工作制 (Rating)	S5-40%
绝缘等级 (Insulation Class)	F	钢丝绳绕法 (Wrap)	单绕Single
制动器型号 (Model)	ZLZ-08AH	制动器电压电流 (Brake)	DC110V 2×1.75A

标准配置规格表 Standard Configuration Specification Table

型号/规格 Type	曳引比 Traction ratio	额定载重 (kg) Rated load	额定速度 (m/s) Rated speed	额定转速 (r/min) Rated speed	额定转矩 (N·m) Rated torque	最大提升 高度 (m) Lifting height	轴负荷 (kg) Shaft load	电机 Motor			曳引轮(带切口U形槽) Sheave (with U groove profiles)				自重 (kg) Weight	
								极数 Poles	额定电流 (A) Rated current	额定功率 (kW) Rated power	额定频率 (Hz) Rated frequency	节径 (mm) Diameter	绳槽 nxd Rope groove	β		γ
08AH-1600-1.0	2:1	1600	1.0	85	1165	50	6000	40	23.4	10.3	28.3	450	7×Ø10×16	95	30	600
08AH-1600-1.5	2:1	1600	1.5	127	1165	90	6000	40	39.4	15.5	42.4	450	8×Ø10×16	95	30	600
08AH-1600-1.6	2:1	1600	1.6	136	1165	90	6000	40	39.4	16.6	45.3	450	8×Ø10×16	95	30	600
08AH-1600-1.75	2:1	1600	1.75	149	1165	90	6000	40	39.4	18.1	49.5	450	8×Ø10×16	95	30	600
08AH-1600-2.0	2:1	1600	2.0	170	1165	100	6000	40	45	20.7	56.6	450	8×Ø10×16	95	30	600
08AH-1600-2.5	2:1	1600	2.5	212	1165	120	6000	40	56	25.9	70.7	450	8×Ø10×16	95	30	600
08AH-1600-2.5(S480)	2:1	1600	2.5	199	1245	120	6000	40	56.5	25.9	66.3	480	8×Ø10×16	95	30	600
08AH-1600-3.0(S550)	2:1	1600	3.0	208	1425	150	6000	40	69	31.0	69.4	550	8×Ø10×16	95	30	640
08AH-2000-1.0	2:1	2000	1.0	85	1455	50	6000	40	29.5	12.9	28.3	450	8×Ø10×16	95	30	640
08AH-2000-1.5	2:1	2000	1.5	127	1455	90	6000	40	49	19.4	42.4	450	8×Ø10×16	95	30	640
08AH-2000-1.6	2:1	2000	1.6	136	1455	90	6000	40	49	20.7	45.3	450	8×Ø10×16	95	30	640
08AH-2000-1.75	2:1	2000	1.75	149	1455	90	6000	40	49	22.6	49.5	450	8×Ø10×16	95	30	640
08AH-2000-2.0	2:1	2000	2.0	170	1455	100	6000	40	57.4	25.9	56.6	450	8×Ø10×16	95	30	640
08AH-2000-2.5	2:1	2000	2.5	212	1455	120	6000	40	71	32.3	70.7	450	8×Ø10×16	95	30	640
08AH-2000-2.5(S480)	2:1	2000	2.5	199	1555	120	6000	40	71.5	32.3	66.3	480	8×Ø10×16	95	30	640
08AH-2000-3.0(S550)	2:1	2000	3.0	208	1780	150	7000	40	87.3	38.8	69.4	550	8×Ø10×16	95	30	680
08AH-2500-1.0	2:1	2500	1.0	85	1820	50	7000	40	35.7	16.2	28.3	450	9×Ø10×16	95	30	680
08AH-2500-1.5	2:1	2500	1.5	127	1820	90	7000	40	63	24.2	42.4	450	9×Ø10×16	95	30	680
08AH-2500-1.6	2:1	2500	1.6	136	1820	90	7000	40	63	25.9	45.3	450	9×Ø10×16	95	30	680
08AH-2500-1.75	2:1	2500	1.75	149	1820	90	7000	40	63	28.3	49.5	450	9×Ø10×16	95	30	680
08AH-2500-2.0	2:1	2500	2.0	170	1820	100	7000	40	72.3	32.3	56.6	450	9×Ø10×16	95	30	680
08AH-2500-2.5	2:1	2500	2.5	212	1820	120	7000	40	86.3	40.4	70.7	450	9×Ø10×16	95	30	680
08AH-2500-2.5(S480)	2:1	2500	2.5	199	1940	120	7000	40	86.3	40.4	66.3	480	9×Ø10×16	95	30	680

概述

电梯门

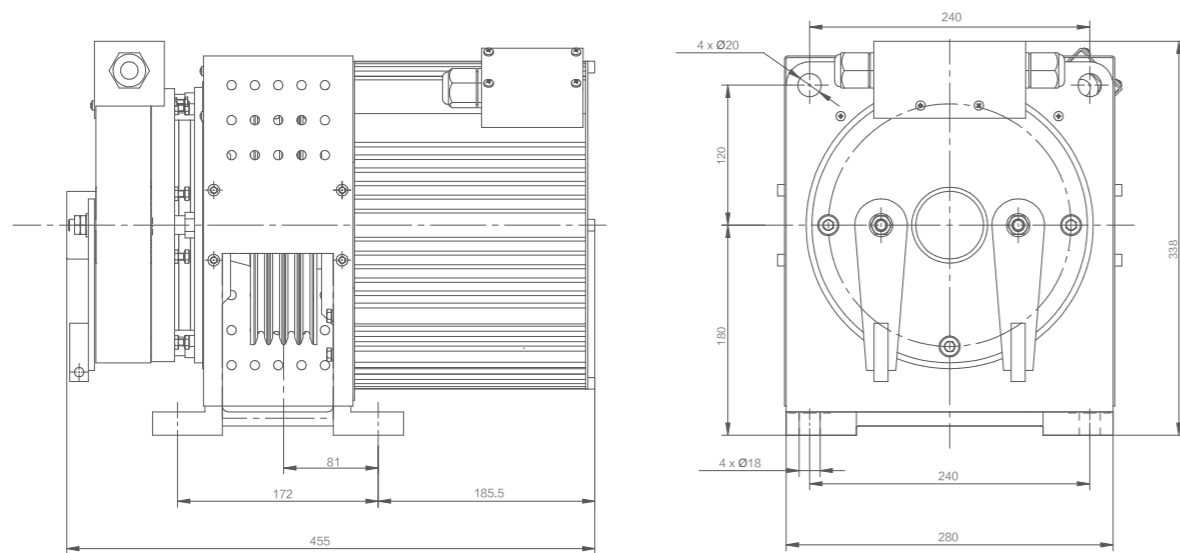
曳引机

安全部件

01-V02 (320~400kg) 轴式制动器永磁无齿曳引机
Axle Brake PM Gearless Traction Machine



安装尺寸图
Installation Dimension Drawing



产品特点
Product Features

额定电压 (Voltage)	380V/220V	曳引比 (Traction ratio)	2:1
额定载重 (Rated load)	320~400kg	额定速度 (Rated speed)	0.3~0.4 m/s
防护等级 (Protection Grade)	IP20	工作制 (Rating)	S5~25%
绝缘等级 (Insulation Class)	F	钢丝绳绕法 (Wrap)	单绕Single
制动器型号 (Model)	ZLZ-01	制动器电压电流 (Brake)	DC110V 1.75A

标准配置规格表
Standard Configuration Specification Table

型号/规格 Type	曳引比 Traction ratio	额定载重 (kg) Rated load	额定速度 (m/s) Rated speed	额定转速 (r/min) Rated speed	额定转矩 (N·m) Rated torque	最大提升 高度 (m) Lifting height	轴负荷 (kg) Shaft load	电机 Motor			曳引轮(带切口U形槽) Sheave (with U groove profiles)				自重 (kg) Weight	
								极数 Poles	额定电流 (A) Rated current	额定功率 (kW) Rated power	额定频率 (Hz) Rated frequency	节径 (mm) Diameter	绳槽 nxd Rope groove	β		γ
380V																
01-V02-320-030 (V380)	2:1	320	0.3	57.3	110	15	1400	16	2.5	0.68	7.7	200	4×Ø8×13	93	45	115
01-V02-320-040 (V380)	2:1	320	0.4	76.4	110	15	1400	16	3.33	0.9	10.2	200	4×Ø8×13	93	45	115
01-V02-400-030 (V380)	2:1	400	0.3	57.3	138	15	1400	16	3	0.83	7.7	200	4×Ø8×13	93	45	115
01-V02-400-040 (V380)	2:1	400	0.4	76.4	138	15	1400	16	4	1.1	10.2	200	4×Ø8×13	93	45	115
220V																
01-V02-320-030 (V220)	2:1	320	0.3	57.3	110	15	1400	16	4.3	0.68	7.7	200	4×Ø8×13	93	45	115
01-V02-320-040 (V220)	2:1	320	0.4	76.4	110	15	1400	16	5.7	0.9	10.2	200	4×Ø8×13	93	45	115
01-V02-400-030 (V220)	2:1	400	0.3	57.3	138	15	1400	16	5.3	0.83	7.7	200	4×Ø8×13	93	45	115
01-V02-400-040 (V220)	2:1	400	0.4	76.4	138	15	1400	16	7.1	1.1	10.2	200	4×Ø8×13	93	45	115

概述

电梯门

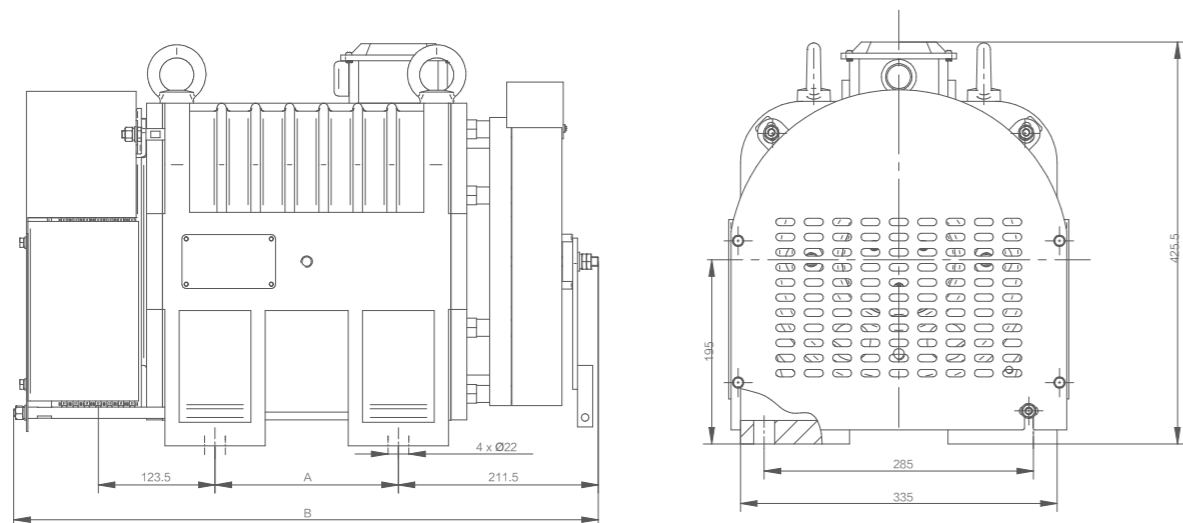
曳引机

安全部件

01-V05 (630~1050kg) 轴式制动器永磁无齿曳引机
Axle Brake PM Gearless Traction Machine



安装尺寸图
Installation Dimension Drawing



载重	A	B
630	104	525
800-1000	194	618.5

产品特点
Product Features

额定电压 (Voltage)	380V	曳引比 (Traction ratio)	2:1
额定载重 (Rated load)	630-1050kg	额定速度 (Rated speed)	1.0-2.0m/s
防护等级 (Protection Grade)	IP41	工作制 (Rating)	S5-40%
绝缘等级 (Insulation Class)	F	钢丝绳绕法 (Wrap)	单绕Single
制动器型号 (Model)	ZLZ-01	制动器电压电流 (Brake)	DC110V 2 × 1.6A

标准配置规格表
Standard Configuration Specification Table

型号/规格 Type	曳引比 Traction ratio	额定载重 (kg) Rated load	额定速度 (m/s) Rated speed	额定转速 (r/min) Rated speed	额定转矩 (N · m) Rated torque	最大提升 高度 (m) Lifting height	轴负荷 (kg) Shaft load	电机 Motor				曳引轮(带切口U形槽) Sheave (with U groove profiles)				自重 (kg) Weight
								极数 Poles	额定电流 (A) Rated current	额定功率 (kW) Rated power	额定频率 (Hz) Rated frequency	节径 (mm) Diameter	绳槽 nxd Rope groove	β	γ	
01-V05-630-100	2:1	630	1.0	119	340	50	3000	20	11	4.2	19.8	320	5 × Ø8 × 12	90	30	220
01-V05-630-150	2:1	630	1.5	179	340	80	3000	20	18.5	6.4	29.8	320	5 × Ø8 × 12	90	30	220
01-V05-630-175	2:1	630	1.75	209	340	80	3000	20	18.5	7.4	34.8	320	5 × Ø8 × 12	90	30	220
01-V05-800-100	2:1	800	1.0	119	430	50	3000	20	14	5.5	19.8	320	6 × Ø8 × 12	90	30	260
01-V05-800-150	2:1	800	1.5	179	430	80	3000	20	22	8.2	29.8	320	6 × Ø8 × 12	90	30	260
01-V05-800-175	2:1	800	1.75	209	430	80	3000	20	22	9.6	34.8	320	6 × Ø8 × 12	90	30	260
01-V05-800-200	2:1	800	2.0	239	430	120	3000	20	25	11	39.8	320	6 × Ø8 × 12	90	30	260
01-V05-1000/1050-100	2:1	1000/1050	1.0	119	540	50	3000	20	16.5	6.7	19.8	320	7 × Ø8 × 12	90	30	280
01-V05-1000/1050-150	2:1	1000/1050	1.5	179	540	80	3000	20	26	10.1	29.8	320	7 × Ø8 × 12	90	30	280
01-V05-1000/1050-175	2:1	1000/1050	1.75	209	540	80	3000	20	26	11.8	34.8	320	7 × Ø8 × 12	90	30	280
01-V05-1000/1050-200	2:1	1000/1050	2.0	239	540	120	3000	20	29	13.4	39.8	320	7 × Ø8 × 12	90	30	280

概述

电梯门

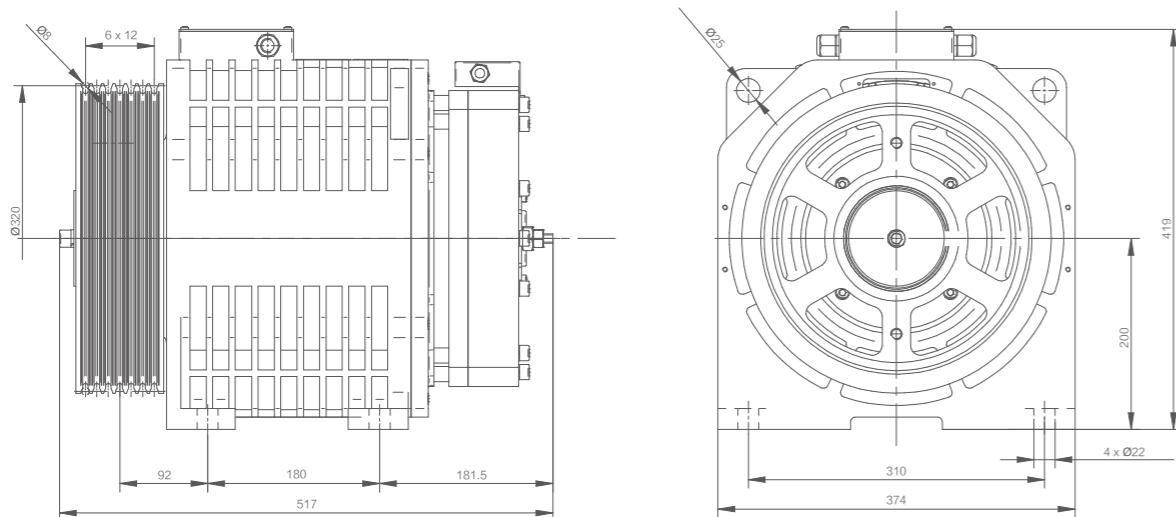
曳引机

安全部件

01A-V05 (630~1050kg) 轴式制动器永磁无齿曳引机
Axle Brake PM Gearless Traction Machine



安装尺寸图
Installation Dimension Drawing



产品特点
Product Features

额定电压 (Voltage)	380V	曳引比 (Traction ratio)	2:1
额定载重 (Rated load)	630-1050kg	额定速度 (Rated speed)	1.0-2.0m/s
防护等级 (Protection Grade)	IP41	工作制 (Rating)	S5-40%
绝缘等级 (Insulation Class)	F	钢丝绳绕法 (Wrap)	单绕Single
制动器型号 (Model)	ZLZ-01A	制动器电压电流 (Brake)	DC110V 2×1.5A

标准配置规格表
Standard Configuration Specification Table

型号/规格 Type	曳引比 Traction ratio	额定载重 (kg) Rated load	额定速度 (m/s) Rated speed	额定转速 (r/min) Rated speed	额定转矩 (N·m) Rated torque	最大提升 高度 (m) Lifting height	轴负荷 (kg) Shaft load	电机 Motor				曳引轮(带切口U形槽) Sheave (with U groove profiles)				自重 (kg) Weight
								极数 Poles	额定电流 (A) Rated current	额定功率 (kW) Rated power	额定频率 (Hz) Rated frequency	节径 (mm) Diameter	绳槽 nxd Rope groove	β	γ	
01A-V05-630-100	2:1	630	1.0	119	313	50	3000	20	9.5	4	19.8	320	5×ø8×12	90	30	280
01A-V05-630-150	2:1	630	1.5	179	330	80	3000	20	15	6.2	29.8	320	5×ø8×12	90	30	280
01A-V05-630-160	2:1	630	1.6	192	330	80	3000	20	15	6.6	32	320	5×ø8×12	90	30	280
01A-V05-630-175	2:1	630	1.75	209	330	80	3000	20	15.8	7.2	34.8	320	5×ø8×12	90	30	280
01A-V05-630-200	2:1	630	2.0	239	330	80	3000	20	18	8.3	39.8	320	5×ø8×12	90	30	280
01A-V05-800-100	2:1	800	1.0	119	401	50	3000	20	14	5	19.8	320	6×ø8×12	90	30	280
01A-V05-800-150	2:1	800	1.5	179	420	80	3000	20	20.2	7.9	29.8	320	6×ø8×12	90	30	280
01A-V05-800-160	2:1	800	1.6	192	420	80	3000	20	20.2	8.4	32	320	6×ø8×12	90	30	280
01A-V05-800-175	2:1	800	1.75	209	420	80	3000	20	21.7	9.2	34.8	320	6×ø8×12	90	30	280
01A-V05-800-200	2:1	800	2.0	239	420	80	3000	20	23.5	10.5	39.8	320	6×ø8×12	90	30	280
01A-V05-1000/1050-100	2:1	1000/1050	1.0	119	506	50	3000	20	17.6	6.4	19.8	320	7×ø8×12	90	30	280
01A-V05-1000/1050-150	2:1	1000/1050	1.5	179	525	80	3000	20	26	9.8	29.8	320	7×ø8×12	90	30	280
01A-V05-1000/1050-160	2:1	1000/1050	1.6	192	525	80	3000	20	26	10.6	32	320	7×ø8×12	90	30	280
01A-V05-1000/1050-175	2:1	1000/1050	1.75	209	525	80	3000	20	27.5	11.5	34.8	320	7×ø8×12	90	30	280
01A-V05-1000/1050-200	2:1	1000/1050	2.0	239	525	80	3000	20	29.4	13.1	39.8	320	7×ø8×12	90	30	280

概述

电梯门

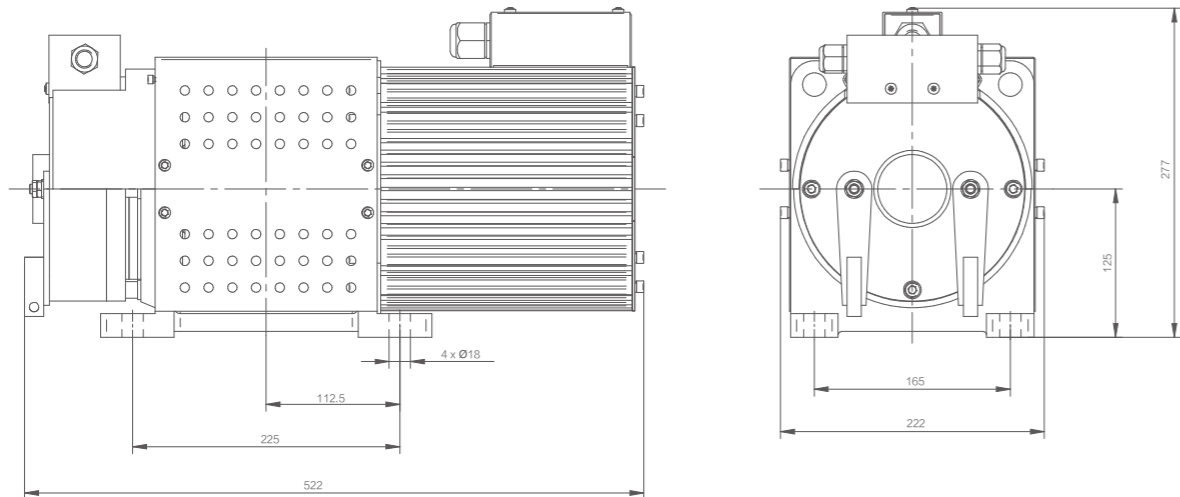
曳引机

安全部件

01-G02 (320~400kg) 轴式制动器永磁无齿钢带曳引机
Axle Brake PM Gearless Traction Machine



安装尺寸图
Installation Dimension Drawing



产品特点
Product Features

额定电压 (Voltage)	220V	曳引比 (Traction ratio)	2:1
额定载重 (Rated load)	320~400kg	额定速度 (Rated speed)	0.3~0.4m/s
防护等级 (Protection Grade)	IP41	工作制 (Rating)	S5~25%
绝缘等级 (Insulation Class)	F	制动器电压电流 (Brake)	DC110V 1.1A
制动器型号 (Model)	ZLZ-01		

标准配置规格表
Standard Configuration Specification Table

型号/规格 Type	曳引比 Traction ratio	额定载重 (kg) Rated load	额定速度 (m/s) Rated speed	额定转速 (r/min) Rated speed	额定转矩 (N·m) Rated torque	最大提升 高度 (m) Lifting height	轴负荷 (kg) Shaft load	电机 Motor			钢带轮 Steel sheave			自重 (kg) Weight	
								极数 Poles	额定电流 (A) Rated current	额定功率 (kW) Rated power	额定频率 (Hz) Rated frequency	直径 (mm) Diameter	轮槽 nxd Rope groove		槽距 (mm) Pitch
01-G02-320-030	2:1	320	0.3	132	52	20	1400	16	3.8	0.72	17.6	87	2×60	65	100
01-G02-320-040	2:1	320	0.4	176	52	20	1400	16	5	0.96	23.47	87	2×60	65	100
01-G02-400-030	2:1	400	0.3	132	65	20	1400	16	4.2	0.9	17.6	87	2×60	65	100
01-G02-400-040	2:1	400	0.4	176	65	20	1400	16	5.5	1.2	23.47	87	2×60	65	100

概述

电梯门

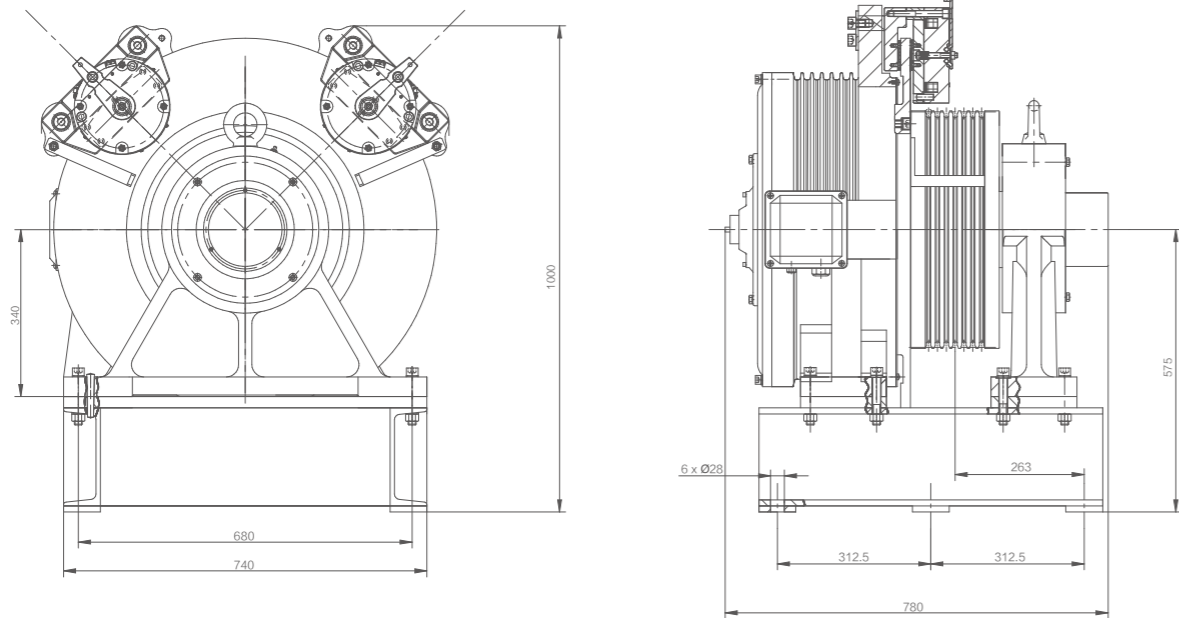
曳引机

安全部件

11 (1600kg) 碟式制动器永磁无齿曳引机
Disc brake PM gearless traction machine



安装尺寸图
Installation Dimension Drawing



产品特点
Product Features

额定电压 (Voltage)	380V	曳引比 (Traction ratio)	2:1
额定载重 (Rated load)	1600kg	额定速度 (Rated speed)	4.0m/s
防护等级 (Protection Grade)	IP41	工作制 (Rating)	S5-60%
绝缘等级 (Insulation Class)	F	钢丝绳绕法 (Wrap)	复绕Double
制动器型号 (Model)	ZLZ-11	制动器电压电流 (Brake)	DC150V 2 × 1.49A

标准配置规格表
Standard Configuration Specification Table

型号/规格 Type	额定载重 (kg) Rated load	额定速度 (m/s) Rated speed	额定转速 (r/min) Rated speed	额定转矩 (N·m) Rated torque	最大提升 高度 (m) Lifting height	电机 Motor				曳引轮(带切口U形槽) Sheave (with U groove profiles)				自重 (kg) Weight	
						轴负荷 (kg) Shaft load	极数 Poles	额定电流 (A) Rated current	额定功率 (kW) Rated power	额定频率 (Hz) Rated frequency	节径 (mm) Diameter	绳槽 nxd Rope groove	β		γ
11.5/4.0	1600	4	318.3	1300	180	13000	24	90	43.3	63.7	480	5 × φ12 × 16	95	40	1300

概述

电梯门

曳引机

安全部件

安全部件系列

Safety Components Series

更安全 | 更可靠 | 更稳定 | 更快捷

More secure | More reliable | More stable | More efficient



宁波申菱研发生产的限速器、缓冲器、安全钳、导靴等安全部件系列产品，具有先进的技术和高质量的安全性能，安装调试方便，性能优异。

产品适用于有机房、小机房、无机房电梯以及家用梯和高速梯，旨在为客户提供最优质的产品和最满意的服务，确保客户在乘坐电梯时得到最大的安全保障。

产品已经通过TSG、CE、EAC等国内外相关测试认证，满足了国内外市场的需求。

NBSL's over speed governors, oil buffers, safety gears, guide shoes and other safety parts are with advanced technology and high quality safety performance, which can be easily installed and debugged, and with excellent performance.

The products are suitable for MR, small machine room, MRL elevators as well as villa elevators and high-speed elevators, aiming to provide customers with the best quality products and the most satisfactory services, ensuring maximum safety for customers when taking elevators.

Our safety components products have passed TSG, CE, EAC and other relevant tests and certifications to meet up to the needs of domestic and international markets.

安全部件系列 Safety Components Series

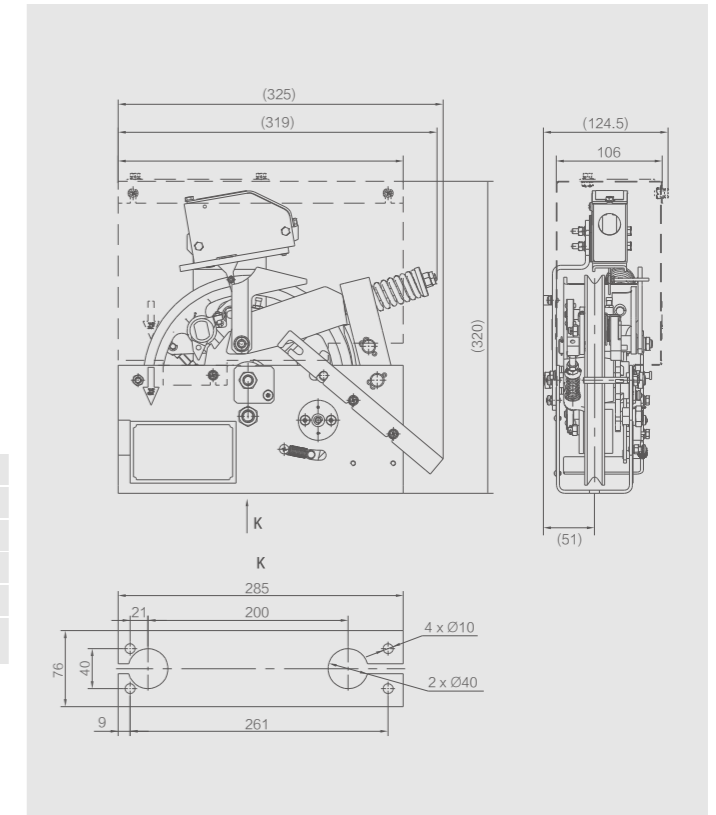
Model	名称	Description	Page
安全部件			
限速器			
XSQ115-37	限速器	Overspeed Governor	P80
XSQ115-02	限速器	Overspeed Governor	P80
XSQ115-12	限速器	Overspeed Governor	P81
XSQ115-34	无机房限速器	Overspeed Governor for MRL Elevator	P81
XSQ115-13	无机房限速器	Overspeed Governor for MRL Elevator	P82
XSQ115-38	中高速限速器	Overspeed Governor for High Speed Elevator	P82
涨紧装置			
ZJZ116-29	涨紧装置	Tension Device	P83
ZJZ116-30	涨紧装置	Tension Device	P83
ZJZ116-27	中高速涨紧装置	Tension Device for High Speed Elevator	P84
缓冲器			
HYF70/160/210B/275A	油压缓冲器	Oil Buffer	P84
HYF80/425	油压缓冲器	Oil Buffer	P85
安全钳			
AQQ125-11	渐进式安全钳	Progressive Safety Gear	P85
导靴			
DXP126-04	客梯滑动导靴	Sliding Guide Shoe for Cabin of Passenger Elevator	P86
DXP126-05	客梯滑动导靴	Sliding Guide Shoe for Cabin of Passenger Elevator	P86
DXP126-08	客梯滑动导靴	Sliding Guide Shoe for Cabin of Passenger Elevator	P87
DXP126-02/12	客梯对重导靴	Sliding Guide Shoe for C/W of Passenger Elevator	P87
DXP126-15	滚动导靴	Rolling Guide Shoe	P88

XSQ115-37 限速器 Overspeed Governor



额定速度(m/s) Rated Speed	0.4~1.75
提升高度(m) Hoisting Height	≤90
绳轮节径(mm) Sheave diameter	φ200
钢丝绳直径(mm) Wire Rope Diameter	φ6
绳的提拉力(N) Rope Pulling Force	500~1500
超速开关电压等级(V) Overspeed Switch Voltage Grade	DC110 或 AC220 DC110 or AC220

- ▶ 该限速器为有机房单向限速器
- ▶ 与单向安全钳配套使用
- ▶ This overspeed governor is one way, MR elevators
- ▶ Used with one way safety gear

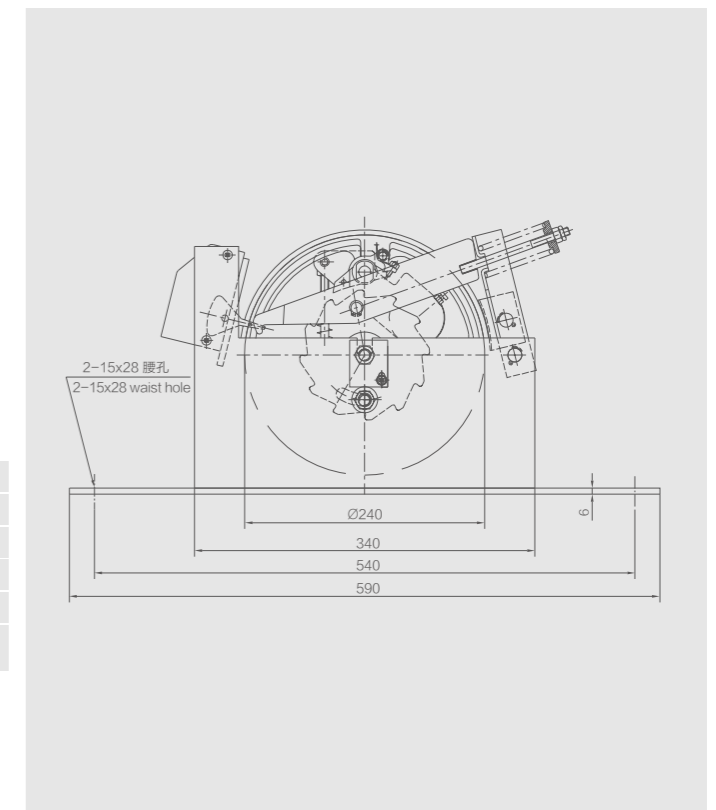


XSQ115-02 限速器 Overspeed Governor



额定速度(m/s) Rated Speed	0.25~2.5
提升高度(m) Hoisting Height	≤110
绳轮节径(mm) Sheave diameter	Ø240
钢丝绳直径(mm) Wire Rope Diameter	Ø8
绳的提拉力(N) Rope Pulling Force	1000~2000
超速开关电压等级(V) Overspeed Switch Voltage Grade	DC110或AC220 DC110 or AC220

- ▶ 该限速器为有机房单向限速器
- ▶ 与单向安全钳配套使用
- ▶ This overspeed governor is one way, for MR elevators
- ▶ Used with one way safety gear



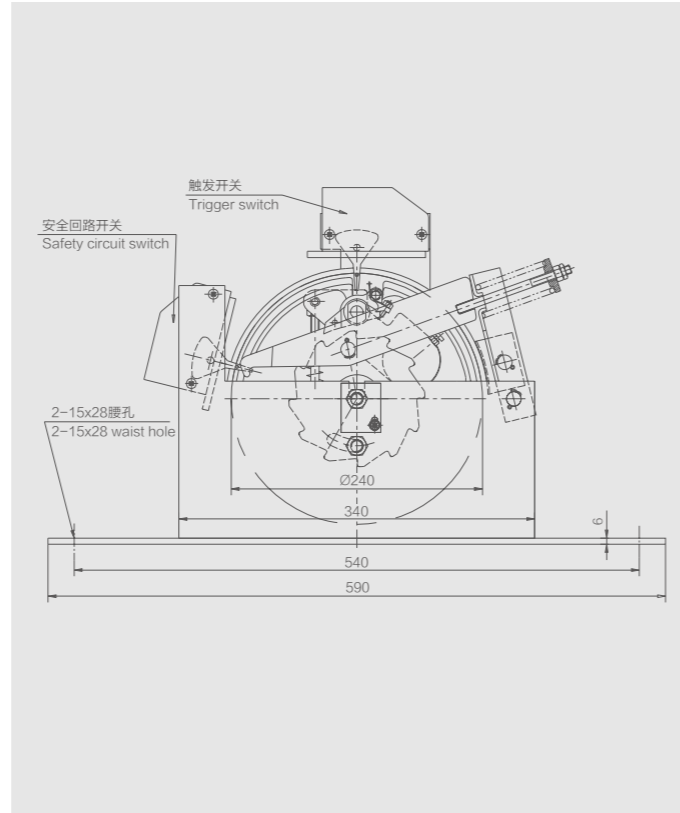
概述

电梯门

曳引机

安全部件

XSQ115-12 限速器 Overspeed Governor



额定速度(m/s) Rated speed	0.25~2.5
提升高度(m) Hoisting height	≤110
绳轮节径(mm) Sheave diameter	φ240
钢丝绳直径(mm) Wire rope diameter	φ8
绳的提拉力(N) Rope pulling force	1000~2000
超速开关电压等级(V) Overspeed switch voltage grade	DC110或AC220 DC110 or AC220

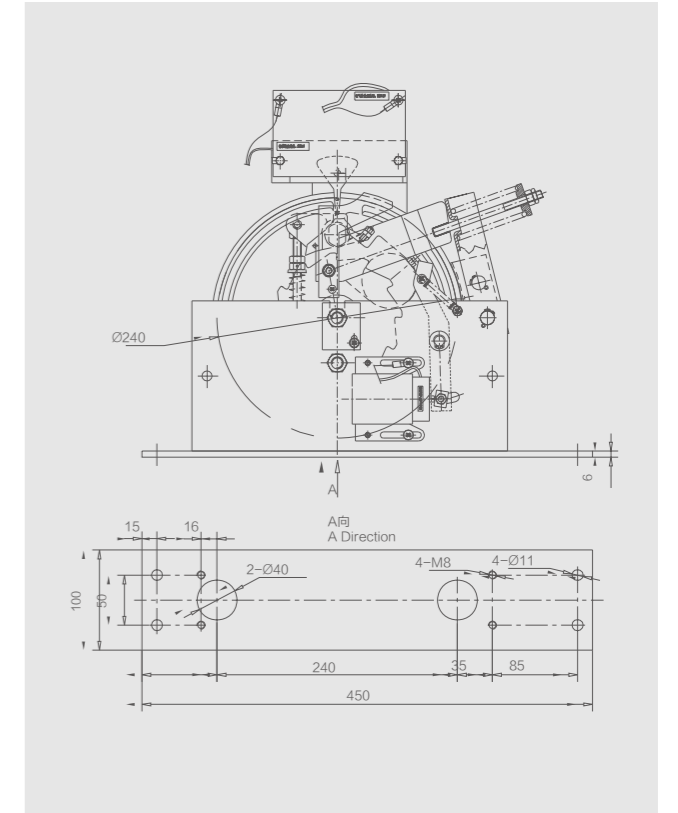
- ▶ 该限速器为有机房双向限速器
- ▶ 与单向安全钳或与电磁式夹绳器配套使用
- ▶ This overspeed governor is bidirectional for MR elevator
- ▶ Used with one way safety gear and electromagnetic rope brake

XSQ115-13 无机房限速器 Overspeed Governor for MRL Elevator

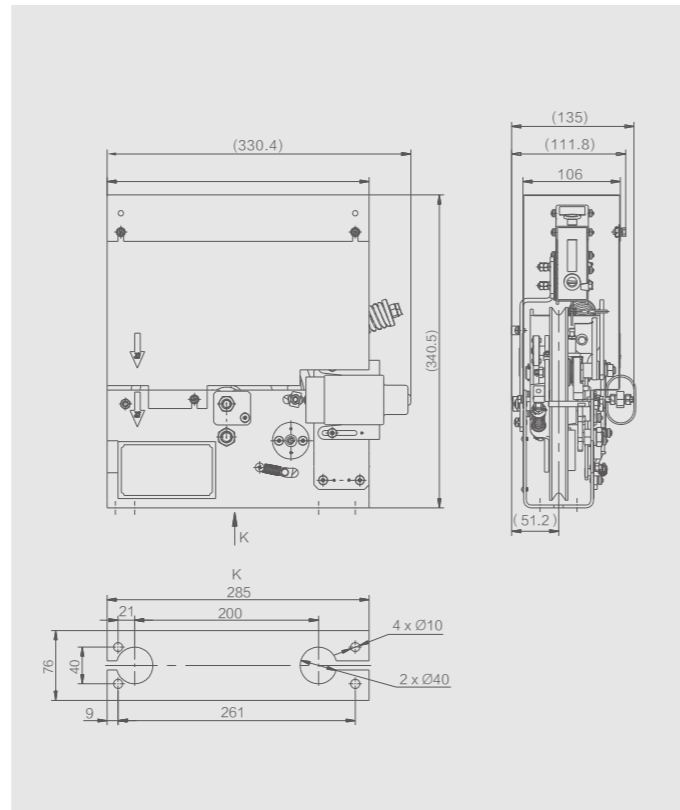


额定速度(m/s) Rated speed	0.25~2.5			
提升高度(m) Hoisting height	≤110			
超速开关电压等级(V) Overspeed switch voltage grade	DC110或AC220 DC110 or AC220			
开关电磁铁电压等级(V) Switch magnet voltage grade	DC24或AC220 DC24 or AC220			
动作电磁铁电压等级(V) Action magnet voltage grade	DC24或AC220 DC24 or AC220			
G 番 G table	绳轮节径D(mm) Sheave diameter D	钢丝绳直径(mm) Wire rope diameter	绳的提拉力(N) Rope pulling force	电磁铁电压等级(V) Voltage grade of solenoid
G01	φ240	φ8	1000~2000	DC24
G04		φ6		
G08		φ8		AC220

- ▶ 该限速器为无机房单向限速器
- ▶ 与单向安全钳配套使用
- ▶ 具有机电式远程复位及触发功能
- ▶ This overspeed governor is one way for MRL
- ▶ Using with one way safety gear
- ▶ With mechanical remote reset and trigger function



XSQ115-34 无机房限速器 Overspeed Governor for MRL Elevators



额定速度(m/s) Rated speed	0.4~1.75
提升高度(m) Hoisting height	≤90
绳轮节径(mm) Sheave diameter	φ200
钢丝绳直径(mm) Wire rope diameter	φ6
绳的提拉力(N) Rope pulling force	500~1500
超速开关电压等级(V) Overspeed switch voltage grade	DC110 或 AC220 DC110 or AC220
开关电磁铁电压等级(V) Switch magnet voltage grade	DC24 或 AC220 DC24 or AC220
动作电磁铁电压等级(V) Action magnet voltage grade	DC24 或 AC220 DC24 or AC220

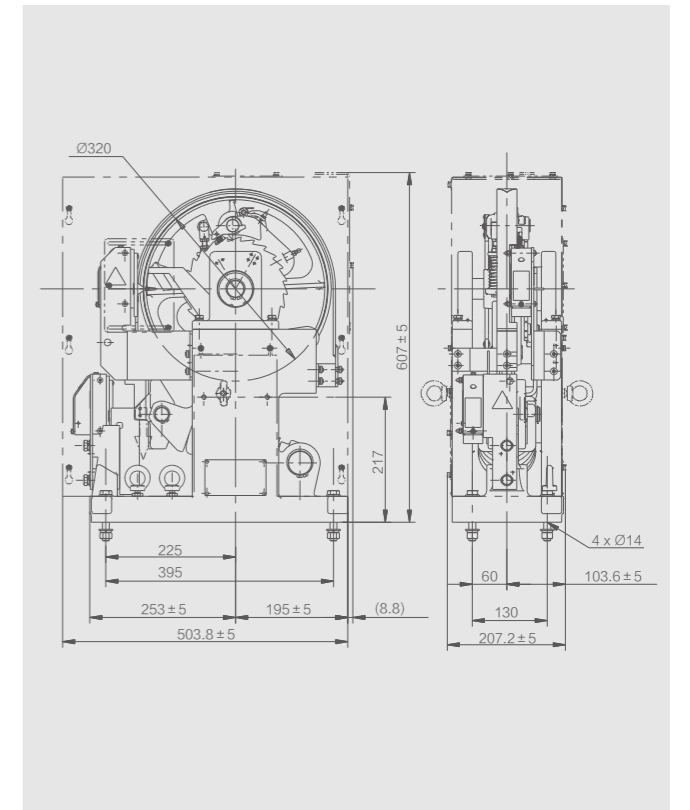
- ▶ 该限速器为无机房单向限速器
- ▶ 与单向安全钳配套使用
- ▶ 具有机电式远程复位及触发功能
- ▶ This overspeed governor is one way
- ▶ Using with one way safety gear
- ▶ With mechanical remote reset and trigger function

XSQ115-38 高速限速器 Overspeed Governor for High Speed Elevator



额定速度(m/s) Rated speed	3.0~4.0
提升高度(m) Hoisting height	≤150
绳轮节径(mm) Sheave diameter	φ320
钢丝绳直径(mm) Wire rope diameter	φ8
绳的提拉力(N) Rope pulling force	2000~3000
超速开关电压等级(V) Overspeed switch voltage grade	DC110或AC220 DC110 or AC220

- ▶ 该限速器为有机房单向限速器
- ▶ 与单向安全钳配套使用
- ▶ This overspeed governor is one way, for MR elevators
- ▶ Used with one way safety gear



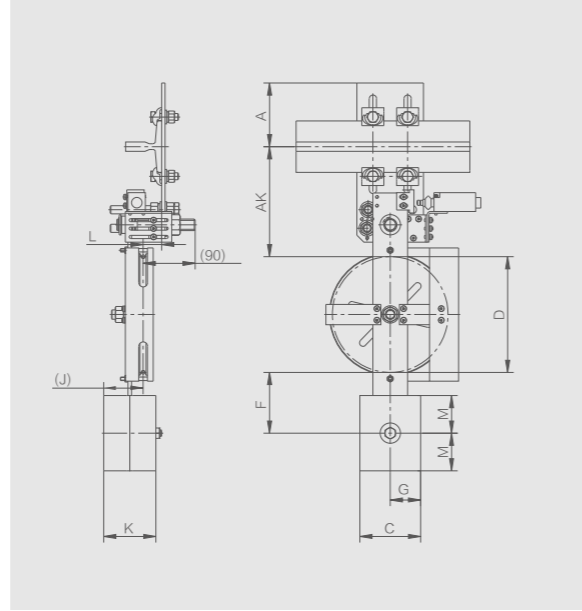
概述

电梯门

曳引机

安全部件

ZJZ116-29 涨紧装置 Tension Device

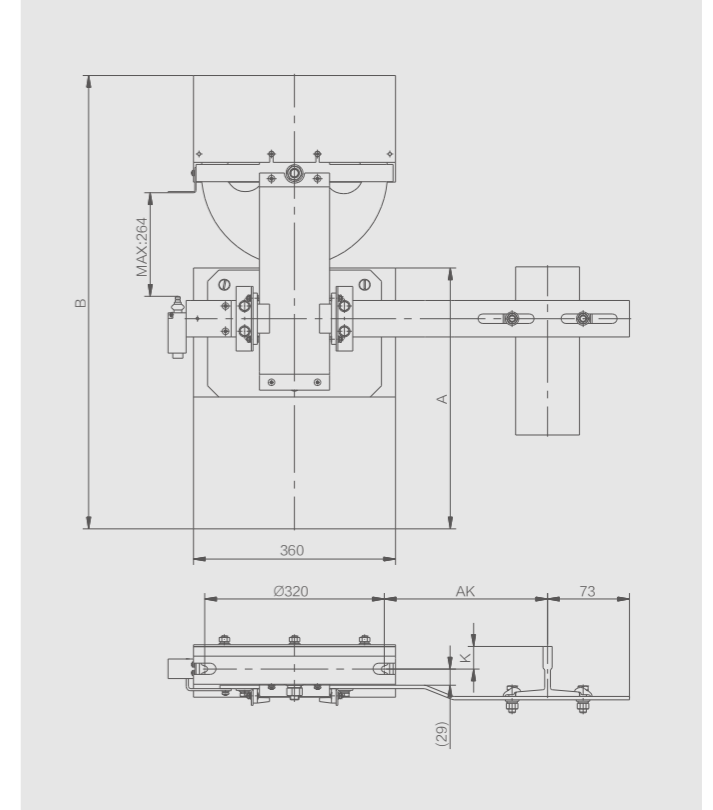
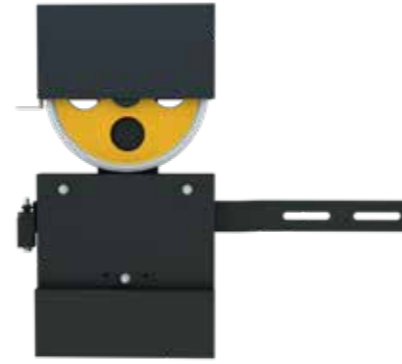


G番 G table	D	钢丝绳直径 (mm) Wire rope diameter	提升高度 (m) Lifting height	重块重量 (kg) Weight pieces weight	重块材料 Material	L	C	G	F
G02	Ø200	Ø6	TR≤60	8	矿粉混凝土 Ore concrete	105	52.5	125	
				铸铁 Cast iron	105	52.5	105		
G03	Ø200	Ø6	60<TR≤90	12	矿粉混凝土 Ore concrete	160	80	125	
				铸铁 Cast iron	140	70	105		
G04	Ø200	Ø6	90<TR≤120	15	矿粉混凝土 Ore concrete	195	97.5	125	
				铸铁 Cast iron	180	90	105		

检测开关电压等级 DC110V或AC220V Inspection switch voltage DC110V or AC220V

L番 L table	适用导轨 Type of guide rail	AK	A	L番 L table	AK	A番 A table	重块材料 Material	J	K	M
L01	T-8K	AK≥180	106	L12	AK=247	A01	矿粉混凝土 Ore concrete	90.5	120	95
L02	T-13K	AK≥180				A02	铸铁 Cast iron	68	90	55
L03	T-18K	AK≥206	138	L91	AK=特殊					
L04	T-24K	AK≥206								

ZJZ116-27 中高速涨紧装置 Tension Device for High Speed Elevator

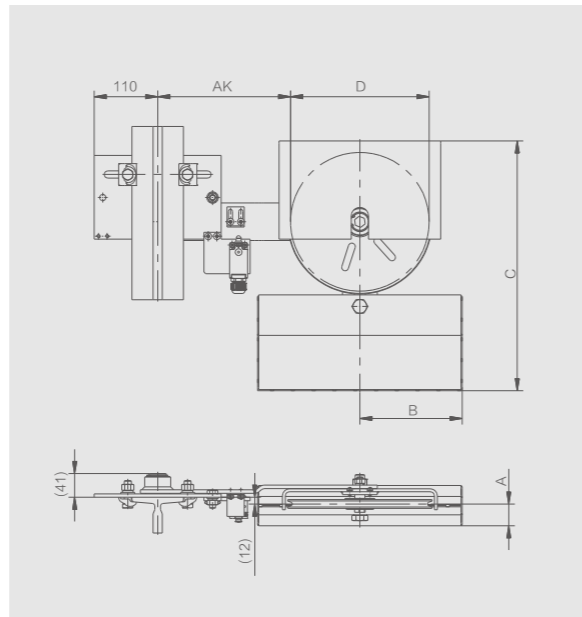


G番 G table	适用导轨 Type of guide rail	AK	L番 L table	AK	K
G01	T75	AK≥194	L01	AK=291	K=40
G02	T89				
G03	T127-1	AK≥239	L91	AK=特殊	K=特殊
G04	T127-2				

A番 A table	适用电梯提升高度 Note lifting height	A	B
A01	TR≤80m	300	643.5
A02	80<TR≤120m	365	708.5
A03	120<TR≤150m	465	808.5

- ▶ 与高速限速器配套
- ▶ Used with high speed overspeed governor

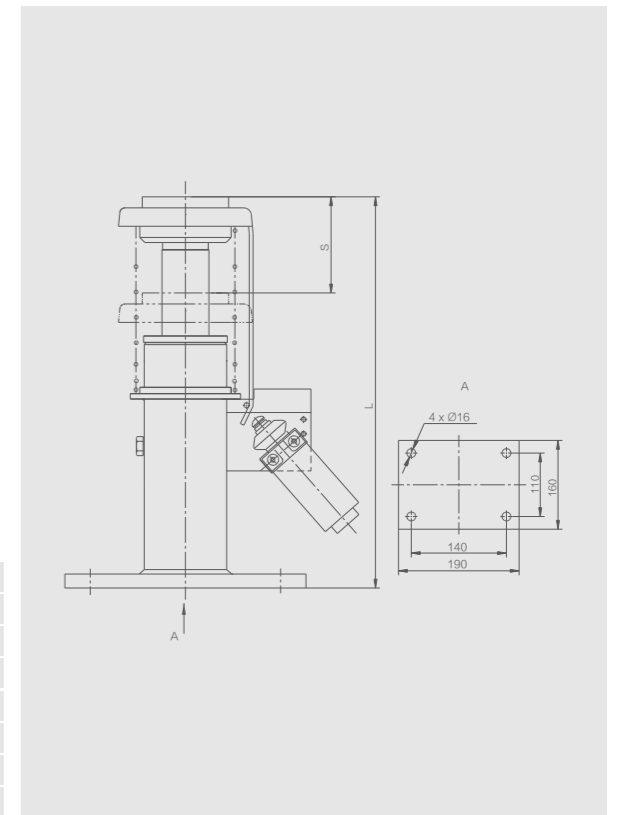
ZJZ116-30 涨紧装置 Tension Device



G番 G table	D	钢丝绳直径 (mm) Wire rope diameter	提升高度 (m) Lifting height	重块重量 (kg) Weight pieces weight	重块材料 Material	A	B	C	检测开关 电压等级 Inspection switch voltage
G08			TR≤60	8	矿粉混凝土 Ore Concrete	40.5	120	393	DC110V AC220V
G09	Ø200	Ø6	60<TR≤90	12	矿粉混凝土 Ore Concrete	40.5	125	332	
				铸铁 Cast Iron	38.5	175	393		
G10	Ø200	Ø6	90<TR≤120	15	矿粉混凝土 Ore Concrete	38.5	125	372	
				铸铁 Cast Iron	38	175	434		
				15	矿粉混凝土 Ore Concrete	38	125	407	
					铸铁 Cast Iron	38	125	407	

L番 L table	适用导轨 Type of guide rail	AK	L番 L table	AK	A番 A table	重块材料 Material
L01	T-8K	AK≥230	L11	AK=230	A01	矿粉混凝土 Ore Concrete
L02	T-13K					
L03	T-18K					
L04	T-24K			L91	AK=特殊	A02

HYF70/160/210B/275A 油压缓冲器 Oil Buffer



型号 Type	HYF70	HYF160	HYF210B	HYF275A
缓冲行程 S	70	160	210	275
总高 L	294	521	609	780
电梯额定速度(m/s) Rated speed	≤1.0	≤1.5	≤1.75	≤2.0
最大总缓冲质量(kg) Max total buffer weight	3000	3000	3000	3000
最小总缓冲质量(kg) Min total buffer weight	600	600	600	1000
油型号 Oil type	L-HM46/46	L-HM46/46	L-HM46/46	L-HM46/46
油体积(L) Oil volume	0.16	0.335	0.63	1.5

概述

电梯门

曳引机

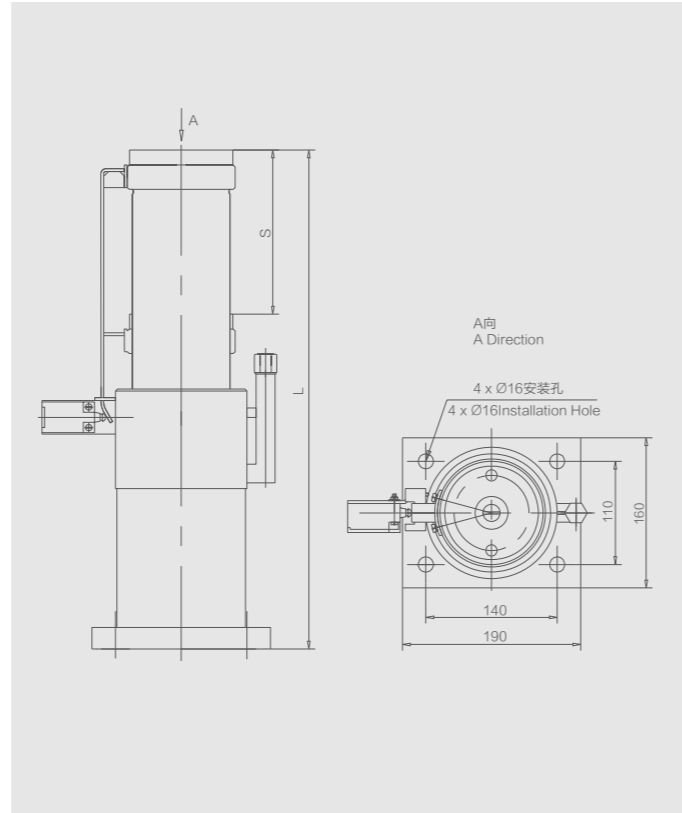
安全部件

HYF80/425 油压缓冲器

Oil Buffer



型号 Type	HYF80	HYF425
缓冲行程 S	80	425
总高 L	339	1133
电梯额定速度(m/s) Rated speed	≤1.0	≤2.5
最大总缓冲质量(kg) Max total buffer weight	4250	3000
最小总缓冲质量(kg) Min total buffer weight	800	700
油型号 Oil type	N46	N46
油体积(L) Oil volume	1.5	4.2

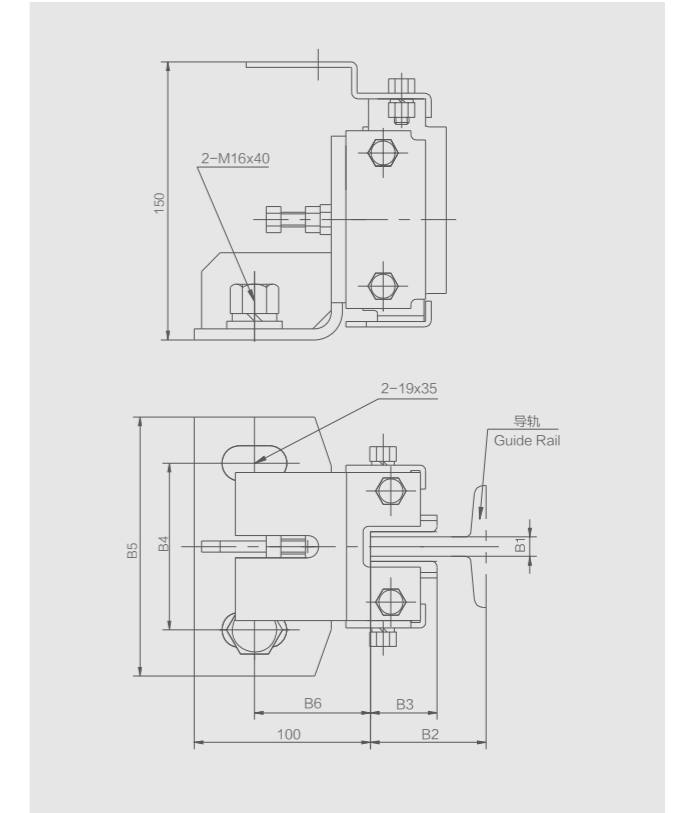


DXP126-04 客梯滑动导靴

Sliding Guide Shoe for Cabin of Passenger Elevator



适用的额定速度等级(m/s) Rated speed grade	≤1.75						
适用的额定载重量Q(kg) Rated loading capacity	≤1150						
G谱 G table	导轨 Guide rail	B1	B2	B3	B4	B5	B6
G03	T-8K	10	62	35	90	140	60
G04	T-13K	16			70	110	70
G07	T-8K	10					
G08	T-13K	16					

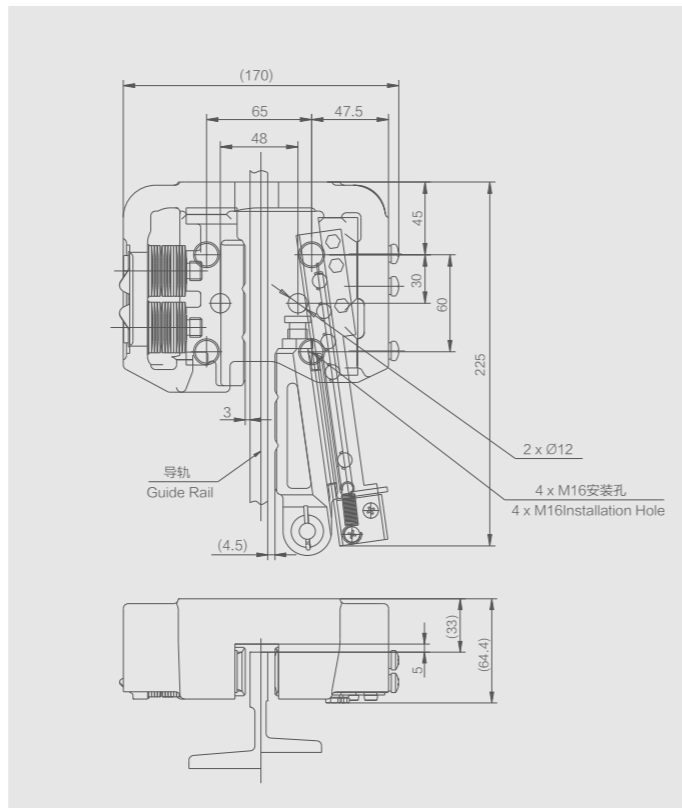


AQQ125-11 渐进式安全钳

Progressive Safety Gear



适用电梯的总质量 P+Q(kg) Total lift weight P+Q	≤2800
适用电梯的额定速度(m/s) Applicable rated speed	≤2.5
适用导轨 Applicable of guide rail	T-8K、T-13K、T-18K、T-24K
安全钳动作所需的提拉力建议设定范围(N) Safety gear action pull force suggested setting range	200~300

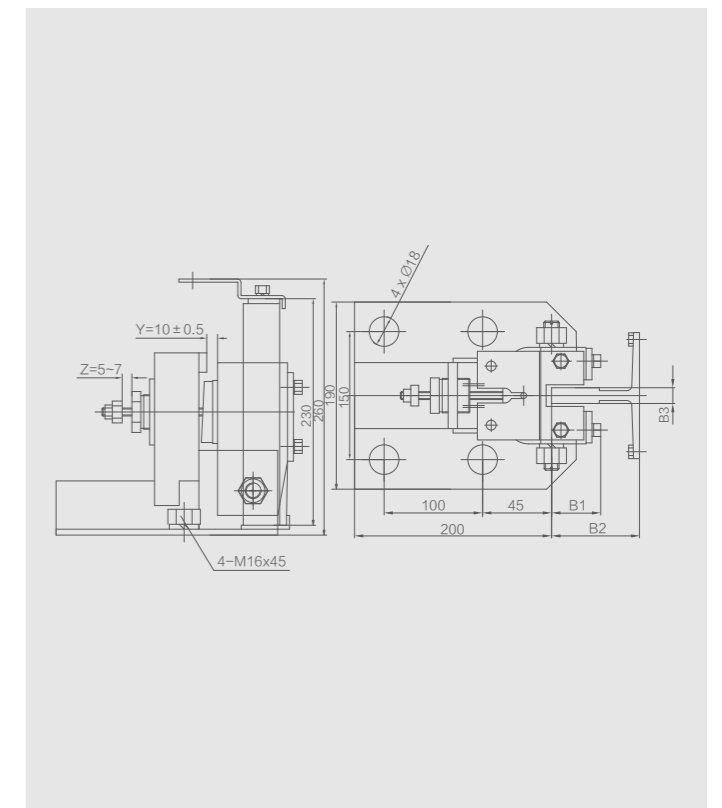


DXP126-05 客梯滑动导靴

Sliding Guide Shoe for Cabin of Passenger Elevator



导轨Guide rail	B1	B2	B3
T-18K	48.5	89	16
T-24K			
适用的额定速度等级(m/s) Rated speed grade	≤2.5		
适用的额定载重量Q (kg) Rated loading capacity	≤2000		



概述

电梯门

曳引机

安全部件

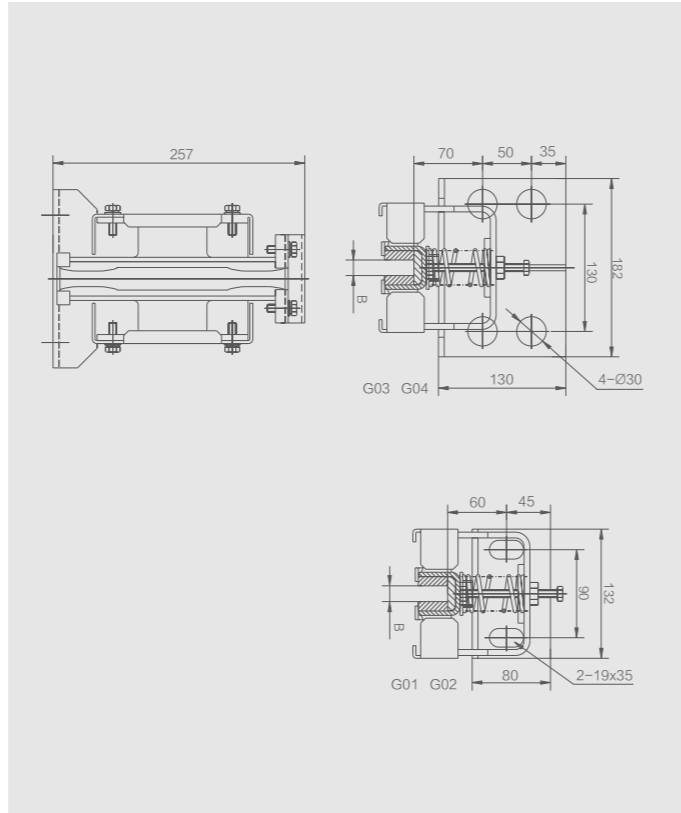
DXP126-08 客梯滑动导靴

Sliding Guide Shoe for Cabin of Passenger Elevator



G 番 G table	导轨Guide rail	B
G01	T-8K	10
G02	T-13K	16
G03	T-8K	10
G04	T-13K	16

适用的额定速度等级(m/s) Rated speed grade	≤2.5
适用的额定载重量Q (kg) Rated loading capacity	≤1150



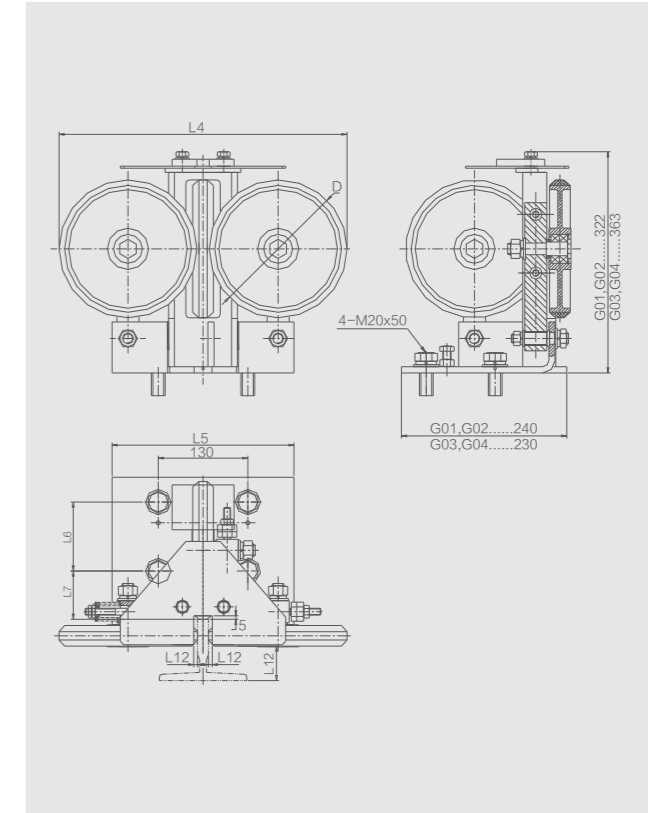
DXP126-15 滚动导靴

Rolling Guide Shoe



G 番 G table	导轨Guide rail	L4	L5	L6	L7	L12	L14
G01	T-8K, T-24K	336	222	80	100	5.5	49.9
G02	T-30K	416	264	100	70	4	69
G03	T-8K	260	180	80	100	7	37.5
G04	T-13K	266	180	80	100	4	37.5

G 番 G table	滚动直径D(mm) Roller diameter	使用的额定速度等级(m/s) Rated speed grade	适用的额定载重量Q(kg) Rated loading capacity
G01	D=160	2.0 ≤ V ≤ 2.5	≤ 1800
G02	D=200	2.5 ≤ V ≤ 4.0	
G03	D=125	1.5 ≤ V ≤ 2.0	
G04	D=125		

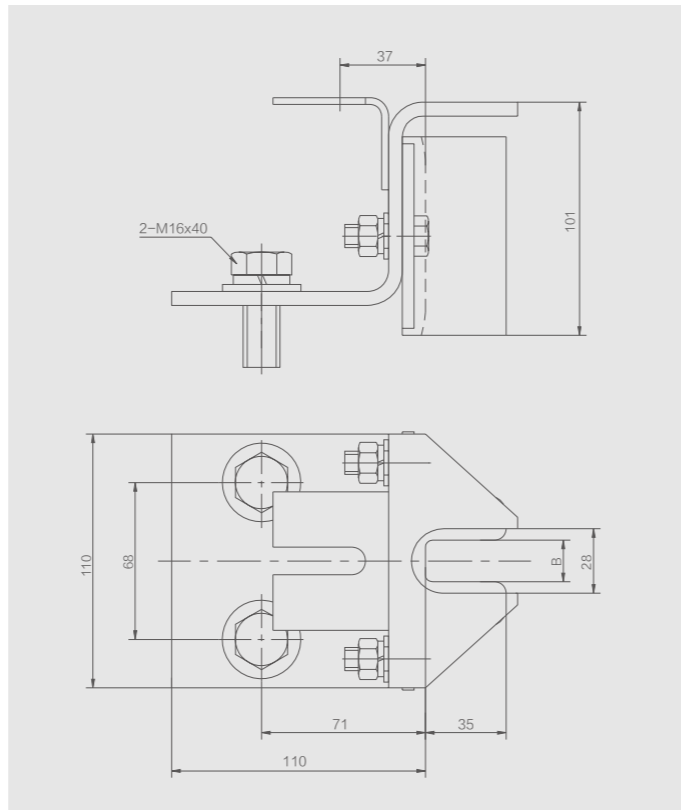


DXP126-02/12 客梯对重导靴

Sliding Guide Shoe for C/W of Passenger Elevator



型号Type	DXP126-02	DXP126-12
槽宽B(mm) Groove width	18	12
适用的额定速度等级(m/s) Rated speed grade	≤2.5	
适用的额定载重量Q(kg) Rated loading capacity	≤3000	



概述

电梯门

曳引机

安全部件